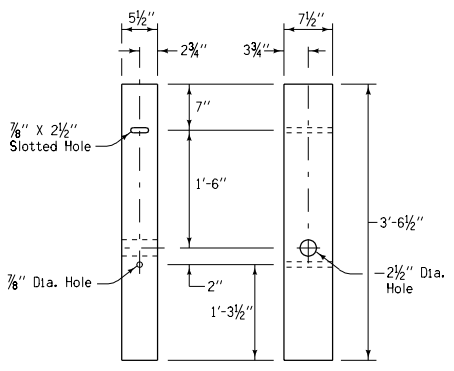
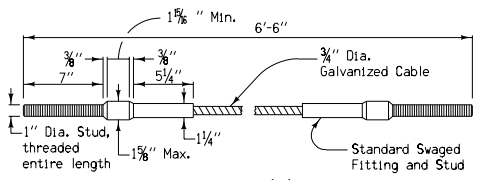


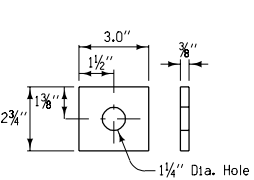
FRONT SIDE
STEEL ANCHOR TUBE



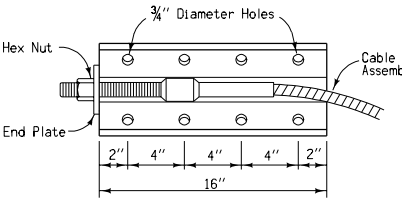
FRONT SIDE
WOOD TERMINAL POST



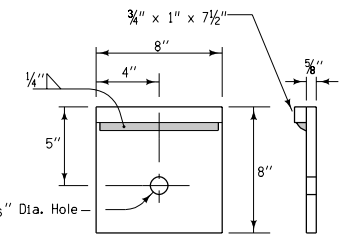
DETAIL 'B'
CABLE ASSEMBLY



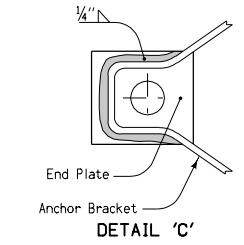
END PLATE



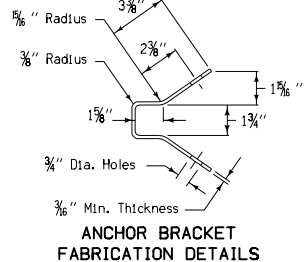
ANCHOR BRACKET ASSEMBLY VIEW



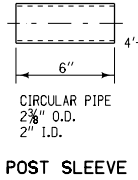
BEARING PLATE



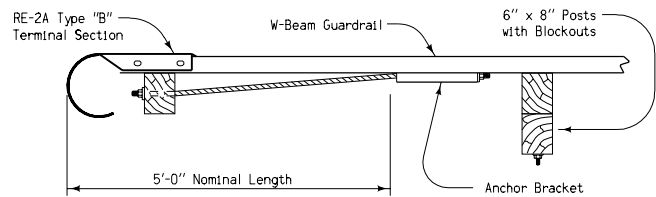
DETAIL 'C'



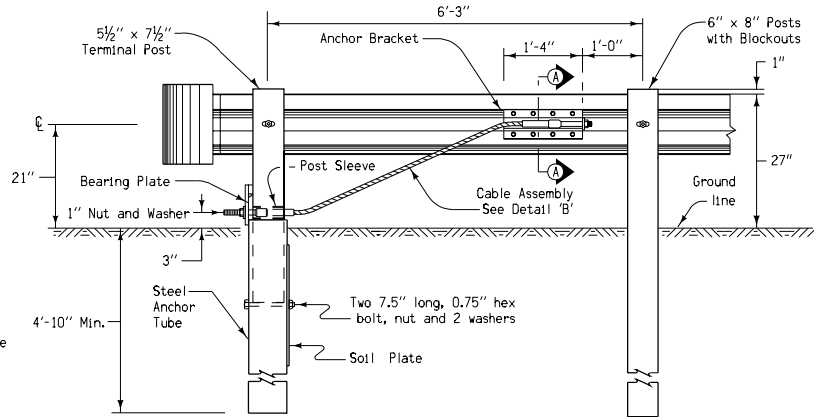
ANCHOR BRACKET
FABRICATION DETAILS



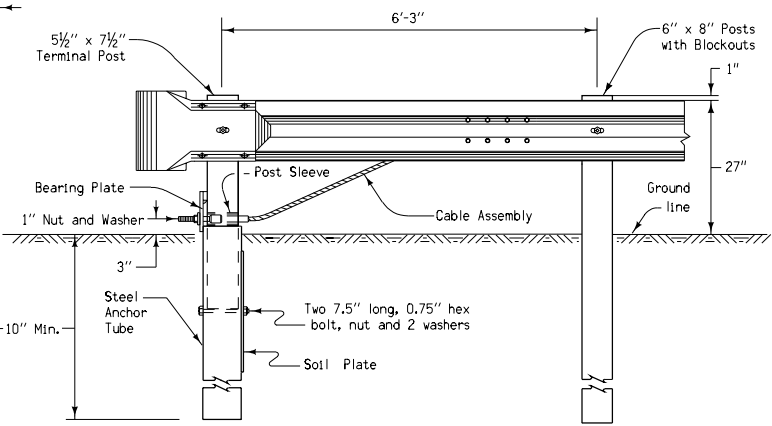
POST SLEEVE



PLAN VIEW



BACK VIEW



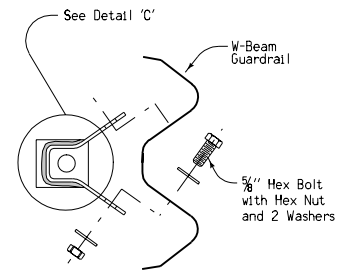
FRONT VIEW

GENERAL NOTES

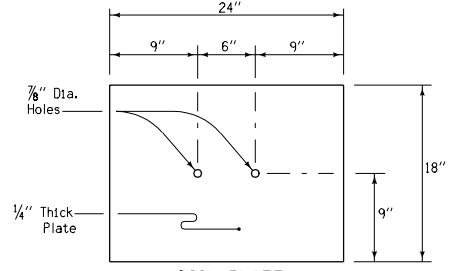
All hardware shall conform to the specifications set forth in "A Guide to Standardized Barrier Hardware", published by AASHTO.

The price bid for "Guardrail, End Anchorage, Beam, RE-33A", shall be considered full compensation for furnishing the materials detailed on this sheet and the construction of the end anchorage. W-Beam guardrail and 6 inch x 8 inch post with blockout are not included with this bid item.

- ① Two 7.5" long, 3/8" hex bolt, nut and washers under head and nut.
- ② One 10" long, 3/4" hex bolt, nut and washers under head and nut.



SECTION A-A



SOIL PLATE

STANDARD ROAD PLAN RE-33A	
REVISION: Remove bottom strut at ground line.	REVISION NO. 4
<i>William J. Sten</i> APPROVED BY DESIGN METHODS ENGINEER	REVISION DATE 10-21-03
BEAM GUARDRAIL END ANCHORAGE (W BEAM)	