

**ELEVATION**

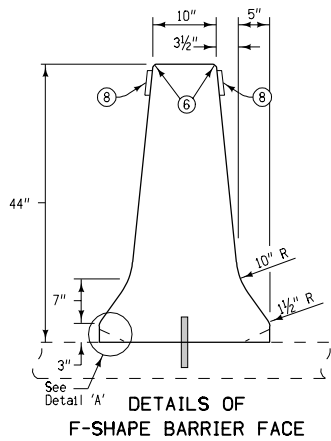
**GENERAL NOTES:**

Contract Item:

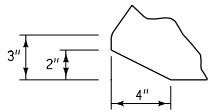
Concrete Barrier, RE-44A or  
Concrete Barrier, RE-44A and Footing

- ① Expansion Joints are necessary only where specifically required by project plans and the expansion material shall conform to shape of barrier. No sealer is required.
- ② Contraction Joints shall be sawed as indicated hereon. Where abutting sections are placed as separate pours, a butt joint may be used. Longitudinal reinforcement shall be extended into the abutting section a minimum of 1'-6" (spanning the butt joint).
- ③ For barrier doveled to paved shoulders, match pavement joints. For free standing barrier with integral footings, use 20 foot maximum, 15 foot minimum joint spacing.

- ④ 1 inch diameter deformed bars of sufficient length to ensure 6 inch minimum embedment in rail and supporting surface. Bars shall be either installed in supporting surface when placed or installed in drilled holes using polymer grout (Material's I.M. 491.13) or hydraulic cement grout (Material's I.M. 491.11).
- ⑤ Use minimum cover of 2 inches for rebar.
- ⑥ All exposed corners are to be filleted with a 3/4 inch dressed and beveled strip.
- ⑦ Concrete footing required when not placed on concrete slab. If footings are required, excavation shall be to near lines. The footings may be poured without the use of forms. The Contractor may, as an option, form the footings and backfill around the completed footing.
- ⑧ Barrier markers to be spaced at 250 feet increments in areas with continuous lighting, 100 feet increments in areas with non-continuous lighting.
- ⑨ Barrier reinforcement shall be anchored to prevent movement. Each section shall be secured at the front, back, and at 3'-6" minimum intervals. Method of anchorage shall be approved by the Engineer.

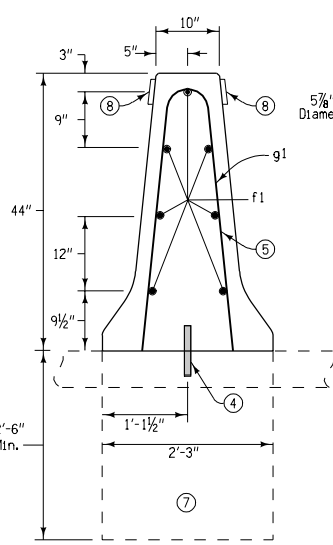


**DETAILS OF F-SHAPE BARRIER FACE**

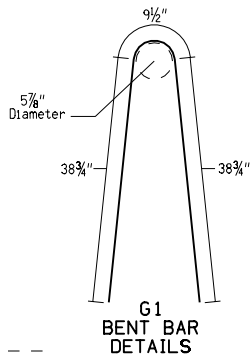


**DETAIL 'A'**

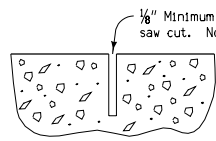
Special Shaping for Barrier over Intake



**SECTION A-A**



**G1 BENT BAR DETAILS**



**DETAILS OF CONTRACTION JOINT**

Saw cut top and front face

**CONCRETE QUANTITIES**  
Per Foot  
0.15 cy

**REINFORCING BAR LIST**  
Per Section (Approx. 20 Feet)

Mark	Size	Number of Bars	Length	WT. (lbs.)
g1	5	14	7'-4"	107
f1	5	7	19'-6"	141

**Iowa Department of Transportation**  
Highway Division

**STANDARD ROAD PLAN RE-44A**

REVISION: Add reinforcement; reduce dowl spacing; show reflectors; change title.	REVISION NO. 7
<i>William J. Stein</i> APPROVED BY DESIGN METHODS ENGINEER	REVISION DATE 10-19-04

**44" CONCRETE MEDIAN BARRIER**  
(FULL SECTION)