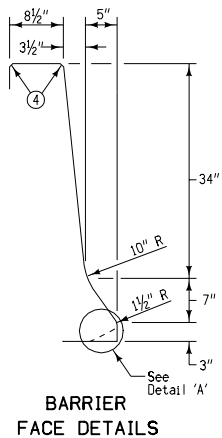
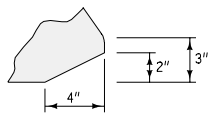


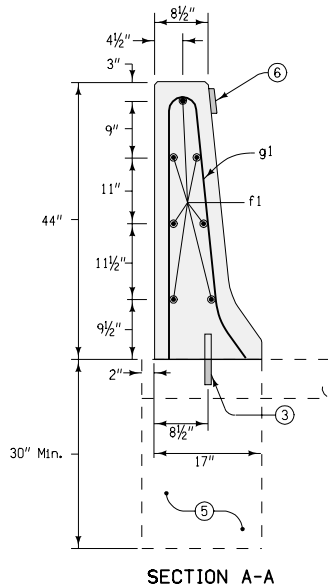
**ELEVATION**



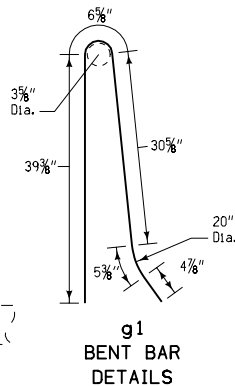
**BARRIER FACE DETAILS**



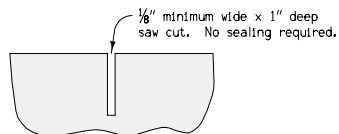
**DETAIL 'A'**  
Special Shaping for Barrier over Intake



**SECTION A-A**



**g1 BENT BAR DETAILS**



**SAWED CONTRACTION JOINT**

Saw cut top and front face. Saw cut back if exposed.

Reinforcing bars shall be epoxy-coated, Grade 60. Minimum cover is 2 inches. Barrier reinforcement shall be anchored to prevent movement. Each section shall be secured at the front, back, and at 3'-6" intervals. Method of anchorage shall be approved by the Engineer.

- ① Expansion joints are necessary only where specifically required by project plans. Expansion material shall conform to the shape of the barrier. No sealer is required.
- ② Contraction joints shall be sawed as indicated hereon. Where abutting sections are placed as separate pours, a butt joint may be used. Longitudinal reinforcement shall extend into the abutting section a minimum of 1'-6". For barrier dowelled to pavement, match pavement joints. For free-standing barrier with integral footings, use 20-foot maximum, 15-foot minimum joint spacing.
- ③ 1-inch diameter deformed dowel bars of sufficient length to ensure 6-inch minimum embedment in barrier and supporting surface. Dowels shall be either installed in supporting surface when placed or installed in drilled holes using polymer grout or hydraulic cement grout.
- ④ All exposed corners shall be filleted with a 3/4" dressed and beveled strip.
- ⑤ Concrete footing required when not placed on concrete slab. Where footings are required, excavation shall be to neat lines. The footings may be poured without the use of forms. The Contractor may, as an option, form the footings and backfill around the completed footing.
- ⑥ Barrier markers shall be spaced at 100-foot increments in areas with non-continuous lighting, or 250-foot increments in areas with continuous lighting. Marker color shall be the same as adjacent edge line.

**CONCRETE QUANTITIES**  
Per Foot  
0.11 cy

Contract Item:  
Concrete Barrier, RE-44C or  
Concrete Barrier, RE-44C and Footing  
Tabulation: 108-18B

REINFORCING BAR LIST				
Per Section (Approx. 20 feet)				
Bar	Size	Number of Bars	Length	Weight (lbs.)
g1	5	14	7'-3"	106
f1	5	7	19'-6"	141

<p>Iowa Department of Transportation</p> <p><b>STANDARD ROAD PLAN</b></p> <p>REVISIONS: Renamed standard. Updated drawings and notes to be consistent with other RE-44 standards.</p> <p><i>Deanna Mayfield</i> APPROVED BY DESIGN METHODS ENGINEER</p>	<p>REVISION</p> <p>9 04-17-07</p>
	<p><b>RE-44C</b></p> <p>SHEET 1 of 1</p>
	<p><b>44" CONCRETE BARRIER</b></p>