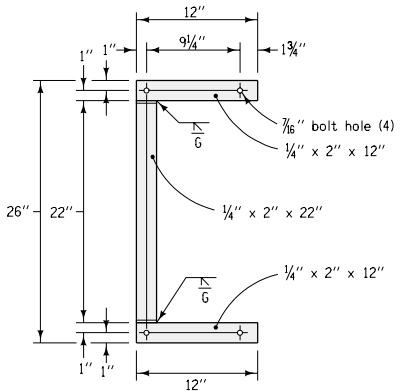
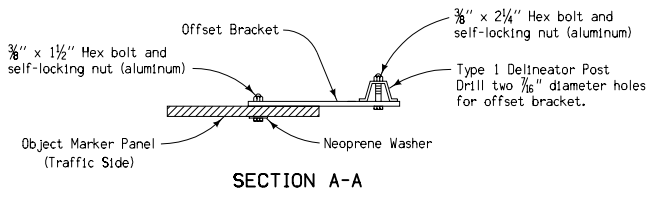


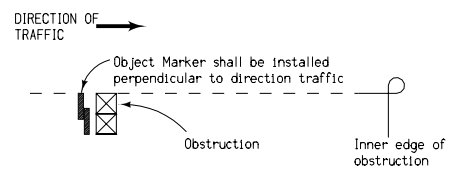
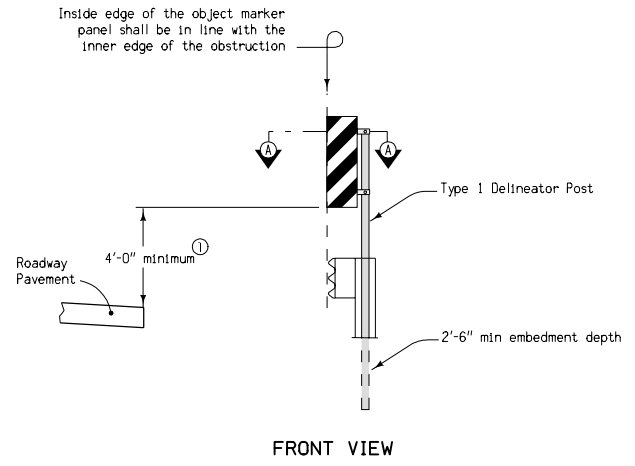
**TYPE 3 OBJECT MARKER PANELS**  
Refer to the MUTCD for striping details.



**OFFSET BRACKET**  
Offset bracket shall be galvanized in accordance with AASHTO M 111



**TYPICAL INSTALLATION**



Object marker shall be fabricated in accordance with the current specifications for signing materials.

List of materials for one Type 3 Object Marker:

- Object Marker Panel (OM-3L or OM-3R)
- Delineator Post (Length may vary)
- Offset Bracket as detailed hereon
- (2) 3/8" x 1-1/2" aluminum bolts
- (2) 3/8" x 2-1/4" aluminum bolts
- (4) 3/8" aluminum hex self-locking nuts
- (2) Neoprene washers

① When object marker panel is located more than 8 feet beyond the shoulder or curb, mounting height to bottom of object marker panel shall be a minimum of 4 feet above the ground.

Contract Item:

Type 3 Object Marker

Tabulations:

108-8A, 108-8B, 108-8D, 108-17, 108-31, 108-32

<p>Iowa Department of Transportation</p>	REVISION	
	14	04-17-07
<b>STANDARD ROAD PLAN</b>		<b>RE-47</b>
REVISIONS: Refer to MUTCD for striping details. Renamed standard.		SHEET 1 of 1
<p>APPROVED BY DESIGN METHODS ENGINEER</p>		
<b>TYPE 3 OBJECT MARKER</b>		