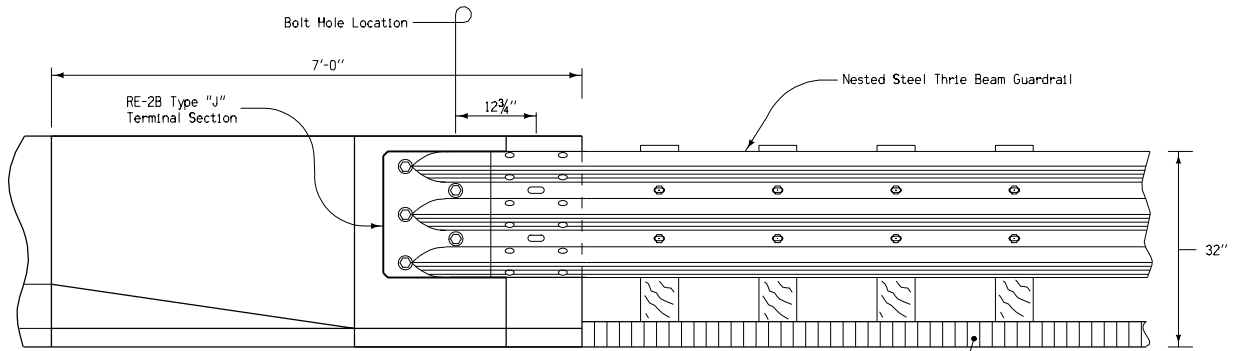
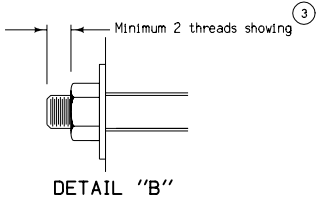


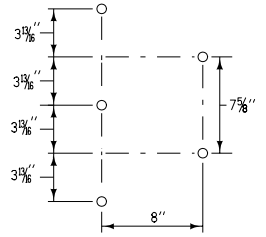
TYPICAL PLAN



TYPICAL ELEVATION

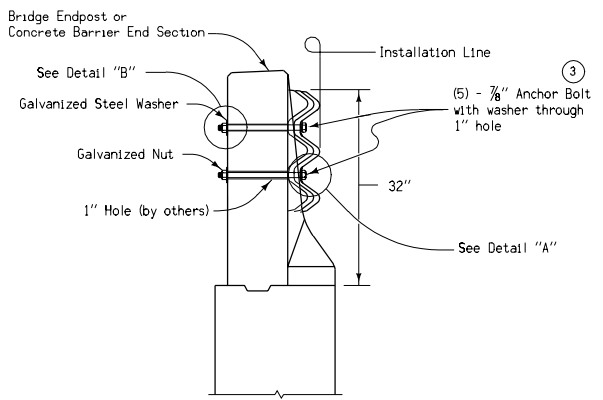


DETAIL "B"

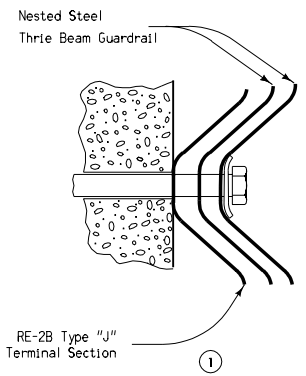


Bolt Pattern

For RE-2B Type "J" Terminal Section



SECTION A-A



DETAIL "A"

GENERAL NOTES:

- Contract Item:  
Guardrail, End Anchorage, Beam, RE-69
- List of Materials for the RE-69A End Anchorage:
- (1) RE-2B Type "J" Terminal Section.
  - (5) Approved 7/8" x sufficient length Hex Bolts.
  - (5) Approved 7/8" Hex Nuts.
  - (10) Approved Plain Washers, 15/16", regular.

- ① For attachments on the trailing end of a one-way bridge, the Type "J" Terminal Connector should be lapped on the outside of the nested thrie beam rails.
- ② See applicable Bridge Approach Section standards for specific requirements.
- ③ 7/8" anchor bolts shall be of sufficient length to leave a minimum of 2 thread widths outside of the nut.

For additional information see Standard Road Plan RE-68.

<b>STANDARD ROAD PLAN RE-69A</b>	
REVISION: Remove Hardware Information Already in the Specifications Book.	REVISION NO. 4
<i>William J. Stein</i> APPROVED BY DESIGN METHODS ENGINEER	REVISION DATE 10-19-04
<b>GUARDRAIL INSTALLATION CONNECTION TO BRIDGE ENDPST OR CONCRETE BARRIER</b>	