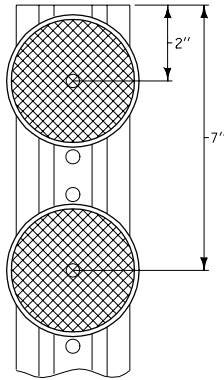
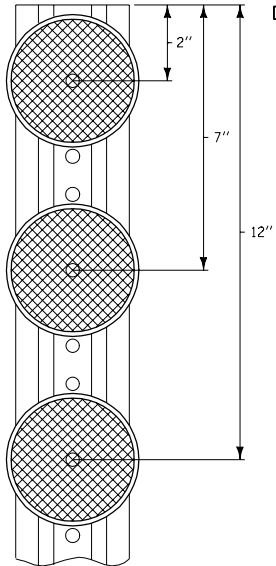


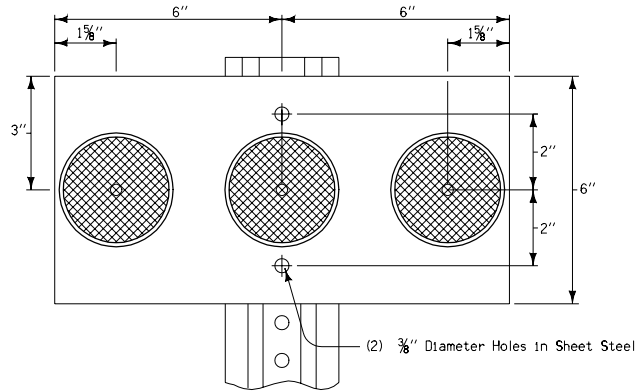
D-1W
SINGLE WHITE DELINEATOR
SINGLE YELLOW DELINEATOR
Front View



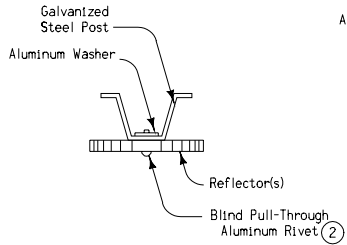
D-2WV
DOUBLE WHITE DELINEATOR
DOUBLE YELLOW DELINEATOR
Front View



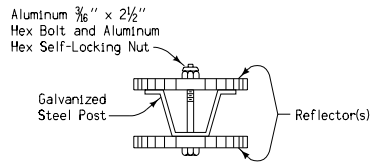
OM2-3YV
TYPE 2
OBJECT MARKER
Front View



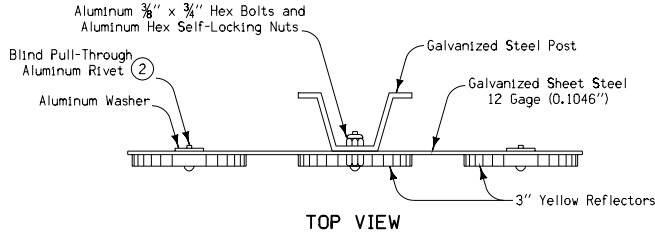
OM2-3YH ① ⑥
TYPE 2 OBJECT MARKER
Front View



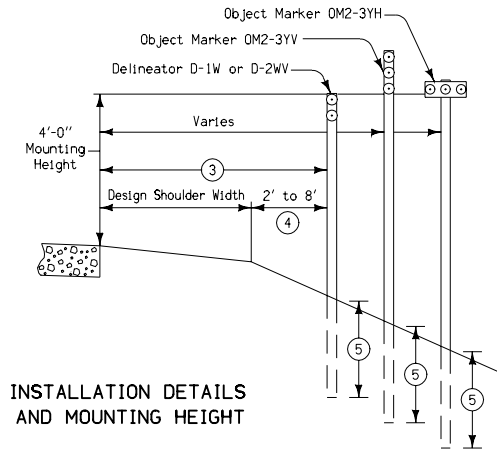
TOP VIEW
(Normal Installation)



TOP VIEW
(Back-to-Back Installation)



TOP VIEW




INSTALLATION DETAILS
AND MOUNTING HEIGHT

GENERAL NOTES:

The contractor shall furnish and install posts for Delineators and type 2 Object Markers. Post lengths shall be sufficient to provide a minimum of 2'-6" of embedment when installed at the specified mounting height.

Price bid for "Delineators" and "Object markers" of the type specified per unit shall be full compensation for all installation work and materials necessary as detailed herein. When Delineators and Object Markers are required with guardrail installations, the Delineators and Object Markers will be included with the price bid for "Installation of Guardrail".

- ① "OM2-3YH" I.D.O.T. Designation. "Type 2 Object Marker" MUTCD Designation.
- ② Other tamper resistant type fasteners may be used with the approval of the Engineer.
- ③ Delineators shall be placed at a constant distance from pavement edge as required on the project plans.
- ④ When shoulder width is 6'-0" or less, delineators shall be a minimum of 8'-0" from edge of pavement.
- ⑤ 2'-6" minimum embedment.
- ⑥ Post shall be centered when used in raised median island.

 Iowa Department of Transportation Highway Division	
STANDARD ROAD PLAN	RE-7
REVISION: Include Yellow Delineators, Center Post Raised Median.	REVISION NO. 14
<i>William J. Allen</i>	REVISION DATE 04-15-03
APPROVED BY DESIGN/METHODS ENGINEER	
DELINEATORS AND OBJECT MARKERS	