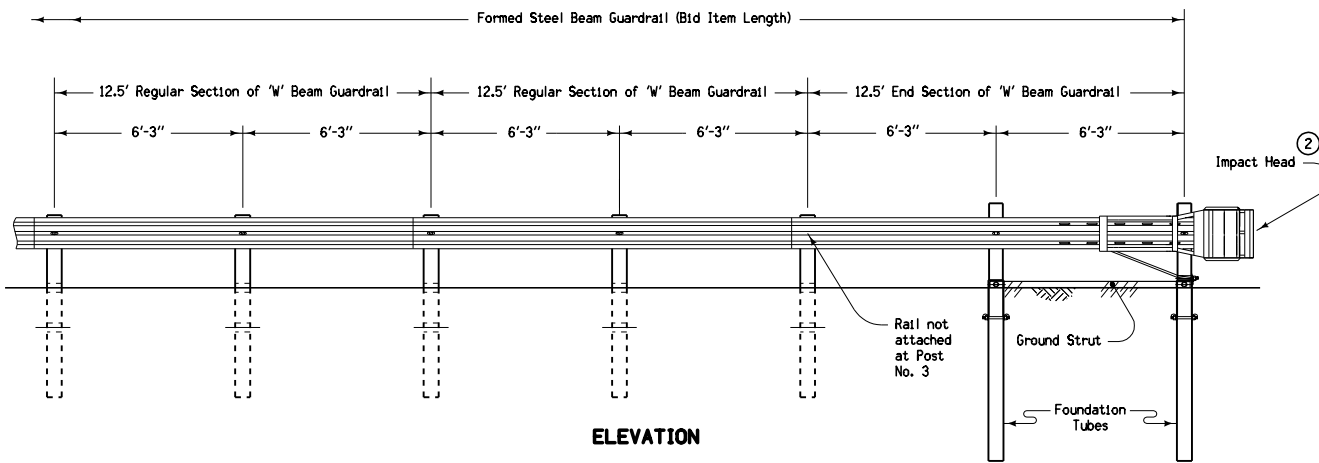
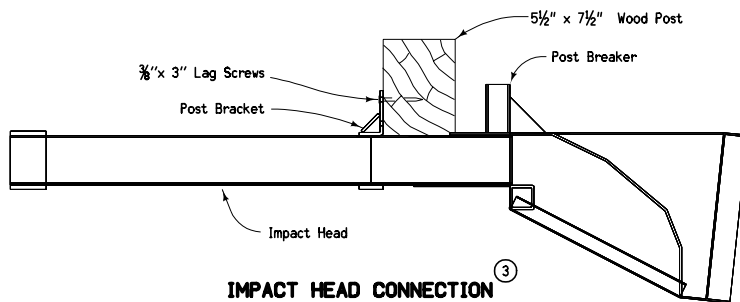


PLAN



ELEVATION



IMPACT HEAD CONNECTION



LAPPING PROCEDURE

FLEAT-350 guardrail terminals shall be designed, manufactured and supplied by Road Systems, Inc. or a designated distributor, and shall consist of materials manufactured to their specifications. The contractor shall install the FLEAT-350 according to the manufacturer's recommendations.

- ① When specifically allowed by the contract documents, the offset may be reduced to 30 inches.
- ② Cover entire face of impact head with alternating black and yellow striped adhesive sheeting. Stripes shall be approximately 3 inches in width and shall be sloped down at an angle of 45 degrees toward the side on which traffic is to pass the impact head. Yellow stripes shall meet the retroreflectivity requirements for Type III or Type IV reflective sheeting.
- ③ Place lag screws in post bracket holes located closest to center of wood post. Drill 1/4" pilot holes before screwing in lag screws. Support the impact head during installation of lag screws to ensure impact head remains parallel to W-beam guardrail.

Contract Item:

Guardrail Terminal, Beam, Flared, RE-76

Materials included in the RE-76 contract item:

- Impact Head
- (2) Foundation Soil Tube
- (2) 5-1/2" X 7-1/2" X 45" Wood Post
- Bearing Plate
- Cable Anchor Bracket
- BCT Cable Anchor Assembly
- Ground Strut
- Striped Adhesive Sheetting

Materials included in the Installation of Guardrail contract item:

- (2) 12.5' Regular Section of W-Beam Guardrail
- (1) 12.5' End Section of W-Beam Guardrail
- (5) 6" X 8" X 6'-0" Wood CRT Post
- (5) 6" X 8" X 14" Timber Blockout

Tabulations: 108-8A, 108-8B, 108-8D, 108-31, 108-32

<p>Iowa Department of Transportation</p> <p><b>STANDARD ROAD PLAN</b></p> <p>REVISIONS: Changed adhesive sheeting requirements. Revised circle notes. Renamed standard.</p> <p style="text-align: right;"><i>Deanna Masfield</i> APPROVED BY DESIGN METHODS ENGINEER</p>	REVISION 8   10-16-07
	<b>RE-76</b> SHEET 1 of 1
	<b>GUARDRAIL TERMINAL (FLEAT-350)</b>