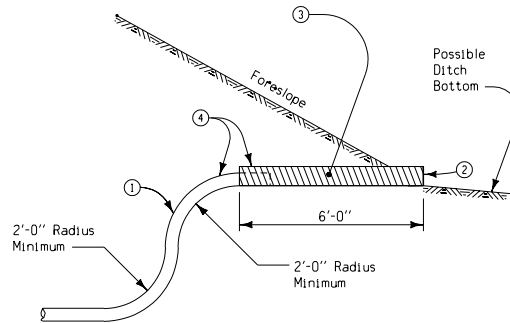


STANDARD SUBDRAIN OUTLET
TYPE A
For existing subdrain pipes 12" or less in diameter. ⑤



PRESSURE RELEASE OUTLET
TYPE B

GENERAL NOTES:

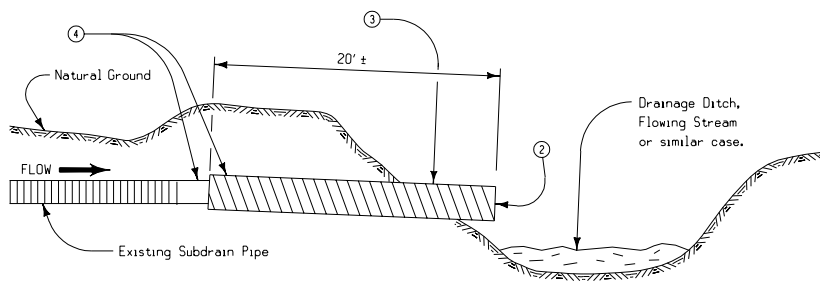
This sheet illustrates the construction of the outlet assembly for Standard Subdrain, Pressure Release and Special outlets.

Materials and construction methods used shall be in accordance with current Standard and Supplemental Specifications.

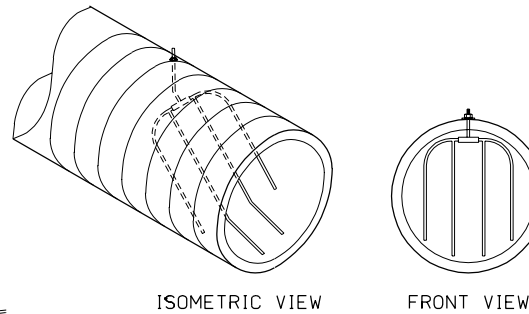
Refer to "Tabulation of Longitudinal Subdrains" for details of individual subdrain installation.

Price bid for "Subdrain Outlet", each of the size specified per unit shall be considered full compensation for all installation work and materials necessary as detailed hereon, and as required by project plans.


- ① 4" Perforated Subdrain (Polyethylene Corrugated Tubing).
- ② Removable Rodent Guard (Appropriately sized to fit pipe).
- ③ If corrugated metal pipe is used an outlet 2" larger than existing subdrain pipe is required. If double-walled PE or PVC pipe is used, an outlet pipe of the same diameter as the existing subdrain pipe may be used.
- ④ The pipes should be coupled in one of the two following ways: (1) Use an inside fit reducer coupler (coupler must be inserted a minimum of 12" into C.M.P.); or (2) Insert 12" of the existing subdrain pipe into the corrugated metal outlet pipe, then fully seal the entire opening with grout.
- ⑤ For existing subdrain pipes larger than 12" in diameter, use Special Outlet, Type C.



SPECIAL OUTLET
TYPE C



REMOVABLE RODENT GUARD
DETAILS

 Iowa Department of Transportation Project Development Division	
STANDARD ROAD PLAN	RF-19F
REVISIONS: Include the uses of PE and PVC pipe for outlets.	REVISION NO. 2
<i>John C. Christ</i> 01-10-00 APPROVED BY DESIGN METHODS ENGINEER	REVISION DATE 04-25-00
SUBDRAIN OUTLETS (STANDARD SUBDRAIN, PRESSURE RELEASE AND SPECIAL)	