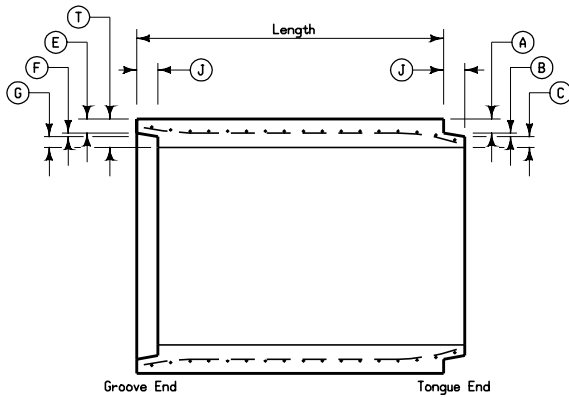
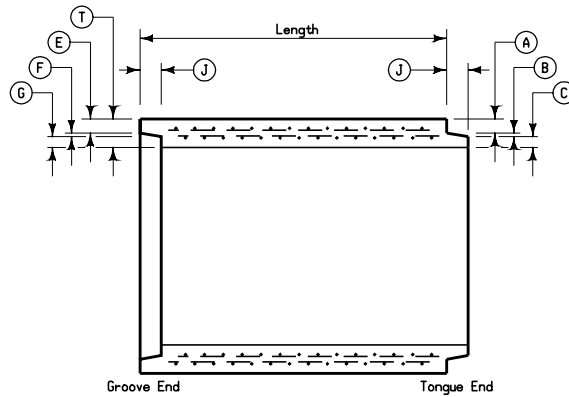


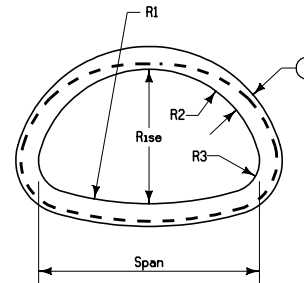
Pipe reinforcement shall comply with AASHTO M 206.



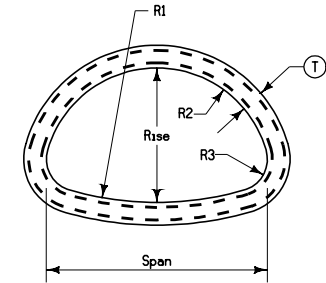
**SINGLE LINE REINFORCEMENT**



**DOUBLE LINE REINFORCEMENT**



**SINGLE LINE REINFORCEMENT**



**DOUBLE LINE REINFORCEMENT**

Nominal Dimensions Span X Rise Inches	Equiv. Dia. In.	Water Area S.F.	Span In.	Rise In.	Approximate Dimensions Inches								Radii Inches			Approx. Wt./Ft. Lb.
					T	A	B	C	J	E	F	G	R <sub>1</sub>	R <sub>2</sub>	R <sub>3</sub>	
22 X 14	18	1.7	22	13½	2½	1⅜	⅜	¾	2	1⅞	⅜	1	27½	13¾	5¼	175
29 X 18	24	2.8	28½	18	3½	1⅝	½	1⅜	3	1⅜	½	1⅝	40⅞	14¾	4⅝	320
37 X 23	30	4.4	36¼	22½	4	1⅞	⅝	1⅞	3½	1⅞	⅝	1⅞	51	18¾	6⅞	455
44 X 27	36	6.4	43¾	26⅝	4½	2	¾	1¾	4	1¾	¾	2	62	22½	6½	610
52 X 32	42	8.8	51⅞	31⅞	4½	2	¾	1¾	4	1¾	¾	2	73	26¼	7⅞	740
59 X 36	48	11.4	58½	36	5	2¼	¾	2	5	2	¾	2¼	84	30	8¾	895
65 X 40	54	14.3	65	40	5½	2½	¾	2¼	5	2¼	¾	2½	92½	33⅞	9⅞	1095
73 X 45	60	17.7	73	45	6	3⅞	¾	1⅞	5	2¾	¾	2½	105	37½	11⅞	1345
88 X 54	72	25.6	88	54	7	3⅞	1	2⅞	6	3¼	1	2¾	126	45	12⅞	1885
102 X 62	84	34.6	102	62	8	4⅞	1	2⅞	6	3½	1	3½	162½	52	13⅞	2490
115 X 72	90	44.5	115	72	8½	4¼	1	3¼	7	3¾	1	3¾	183	59	19⅞	2900
122 X 78	96	51.7	122	77¼	9	4½	1	3½	7	4	1	4	218	62	20⅞	3510
138 X 88	108	66.0	138	87⅞	10	5	1	4	7	4½	1	4½	269	70	22⅞	4400
154 X 97	120	81.8	154	96⅞	11	5½	1	4½	7	5	1	5	301⅞	78	24	5400
169 X 107	132	99.1	168¾	106½	10	5	1	4	7	4½	1	4½	329	85⅞	26⅞	5390

Contract Item:

Concrete Arch Pipe

Tabulations: 104-3, 104-4

<p>Iowa Department of Transportation</p> <p><b>STANDARD ROAD PLAN</b></p> <p>REVISIONS: Removed specification language. Corrected dimensions for 24, 30, and 36 inch pipes.</p> <p><i>Deanna Macfild</i> APPROVED BY DESIGN METHODS ENGINEER</p>	REVISION 3   10-16-07
	<p><b>RF-41</b></p> <p>SHEET 1 of 1</p>
	<p><b>CONCRETE ARCH PIPE</b></p>