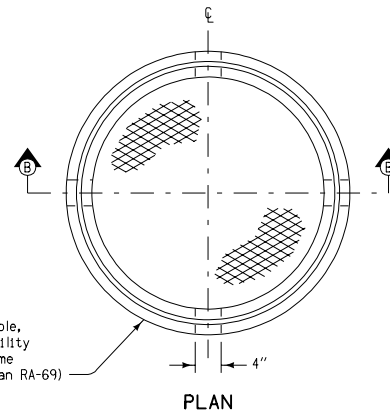
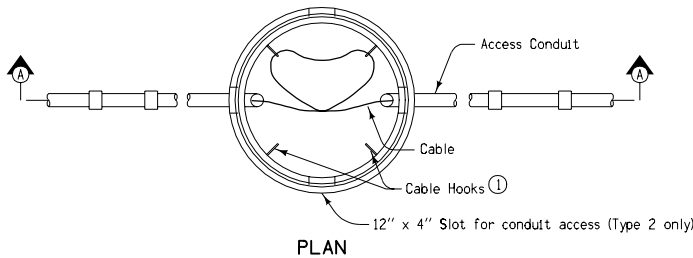


TYPE 1  
SECTION A-A

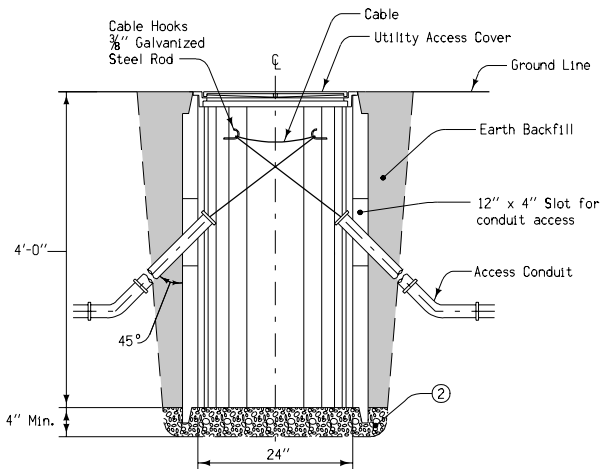


PLAN

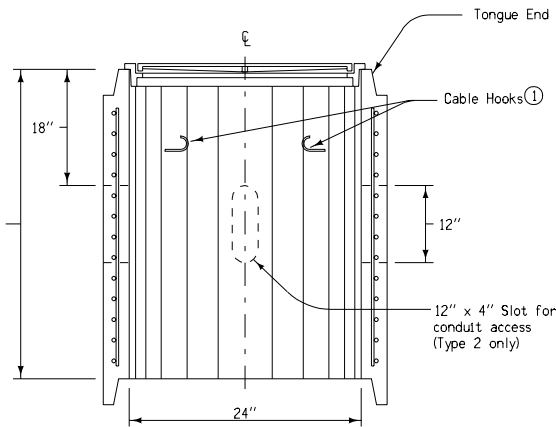
On Top of each Handhole,  
Install a Cast Iron Utility  
Access Cover with Frame  
(see Standard Road Plan RA-69)



PLAN



TYPE 2  
SECTION A-A



Reinforcing Details  
SECTION B-B

GENERAL NOTES:

The details indicated hereon are for the installation of a precast handhole with cover for electrical wiring and conduit.

Refer to appropriate Standard Road Plans and project plans for locations and additional details.

Body of RM-42 Handhole shall comply with the requirements of Standard Road Plan RF-1 for Class 1500 D concrete pipe insofar as applicable. The pipe section shall be placed with Tongue End at top of handhole.

Slots for conduit access may be cast at 90 degree spacing, as shown, or cast only as necessary for conduit installation as project plans require. Slots shall be grouted with mortar after necessary conduits are installed. Cable hooks may be precast with handhole or may be installed as necessary by a method approved by the Engineer.

Cable hooks and handling loops shall be galvanized in accordance with current specifications.

Access conduit shall be the same as required for the circuit ducts unless otherwise specified.

The contract item is "Handholes and Junction Boxes".

- ① 3/8" diameter Galvanized Steel Rod or approved equivalent.
- ② Granular Material meeting requirements for Gradation Number 3 or 5. (Shown in the Aggregate Gradation Table from the current General Supplemental Specifications).

<b>STANDARD ROAD PLAN RM-42</b>	
REVISION: Change wording for Granular Material Specifications.	REVISION NO. 3
<i>William J. Allen</i> APPROVED BY DESIGN/METHODS ENGINEER	REVISION DATE 10-02-01
<b>PRECAST HANDHOLE</b>	