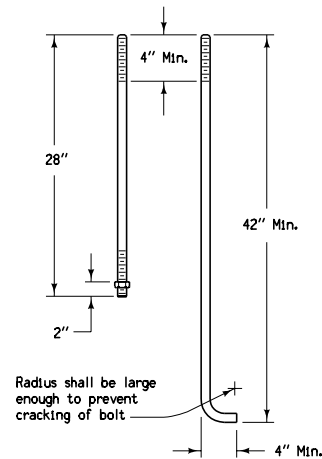
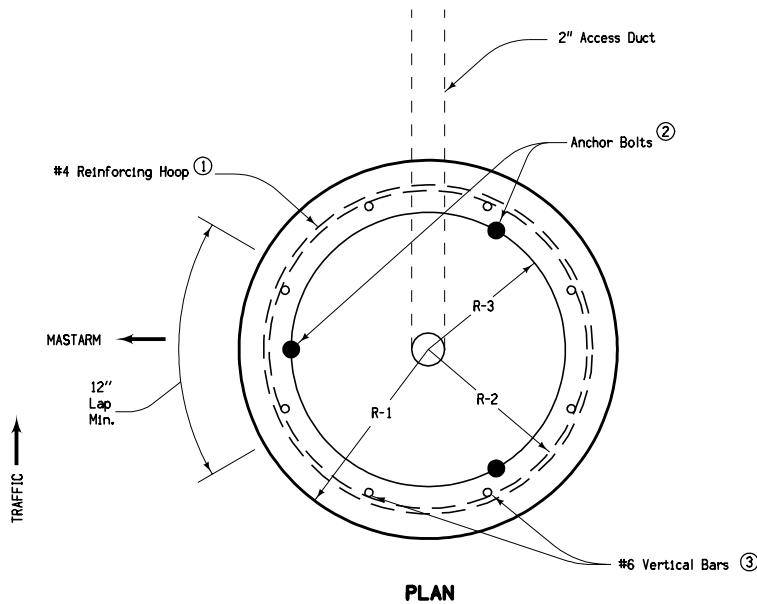


TYPICAL SECTION



1" ANCHOR BOLTS (2)



PLAN

Diameter of footing is determined by the Anchor Bolt Circle required for the pole being installed. Where dimensional requirements indicated cannot be met with normal footings, it shall be enlarged as necessary to accommodate the required diameter at the Contractor's expense.

Provide minimum 2" clear for all reinforcement.

R-1 = Radius of the outside of the footing shall be 13 1/2" minimum unless anchor bolt circle requires a larger radius.

R-2 = Radius of the reinforcing hoop shall be a maximum of 2" less than R-1 and minimum of 1" greater than R-3.

R-3 = Radius of the anchor bolt circle.

- (1) #4 bars lapped a minimum of 12". Hoops may be welded to vertical bars.
- (2) Three anchor bolts required per footing. Either anchor bolt type may be used.
- (3) Use #7 bars when mounting height is greater than 44 feet.

 Iowa Department of Transportation	REVISION
	5 10-16-07
	RM-47
STANDARD ROAD PLAN	SHEET 1 of 1
REVISIONS: Deleted repetitive information. Removed notes 4 and 5 and added to drawing.	
 APPROVED BY DESIGN METHODS ENGINEER	
FOOTING FOR SLIP-BASE LIGHT POLES	