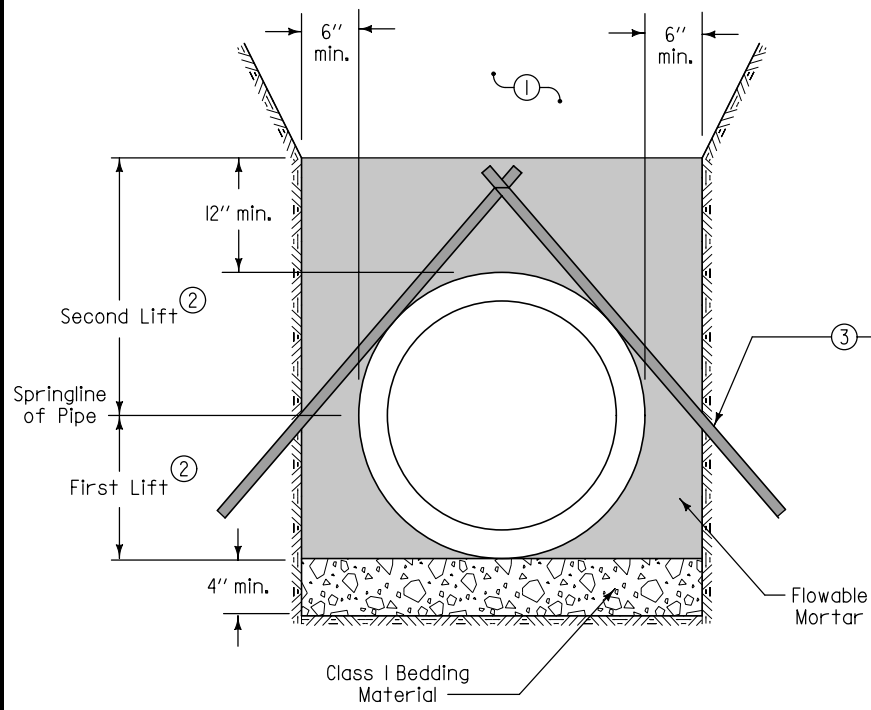
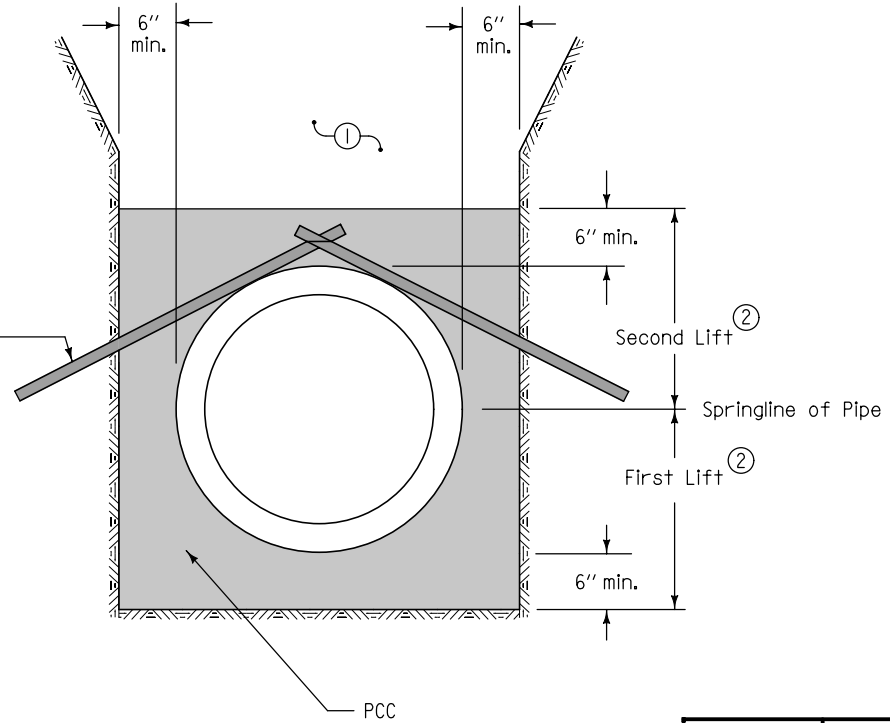


- ① Place remainder of bedding and backfill material as specified in the contract documents.
- ② Place encasement material in two lifts, or as required to prevent pipe flotation. Allow previous lift to reach initial set prior to placing subsequent lifts.
- ③ Restrain pipe as necessary to prevent flotation.



FLOWABLE MORTAR ENCASUREMENT



PCC ENCASUREMENT

FIGURE 3010.105 SHEET 1 OF 1

SUDAS	Iowa Department of Transportation	REVISION
		NEW 04-21-09
FIGURE 3010.105	STANDARD ROAD PLAN	SW-105
		SHEET 1 of 1
REVISIONS: New. Replaces SUDAS Figures 3010.2 and 3010.9.		
SUDAS DIRECTOR		DESIGN METHODS ENGINEER
MISCELLANEOUS PIPE BEDDING		