

- ① 36 inch pipe may be used when wall dimension is increased to 4 feet.
- ② Install four #4 diagonal bars at manhole opening and at all pipe openings.

MAXIMUM PIPE DIAMETERS	
Wall	Max. Dia.
1	30" ①
2	24"
3	36"
4	48"

PLAN

FIGURE 6010.506 SHEET 1 OF 2

SUDAS	Iowa Department of Transportation	REVISION
		NEW 04-21-09
FIGURE 6010.506	STANDARD ROAD PLAN	SW-506
REVISIONS: New. Replaces SUDAS Type "M-E" Intake.		SHEET 1 of 2
SUDAS DIRECTOR	DESIGN METHODS ENGINEER	
DOUBLE GRATE INTAKE WITH MANHOLE		

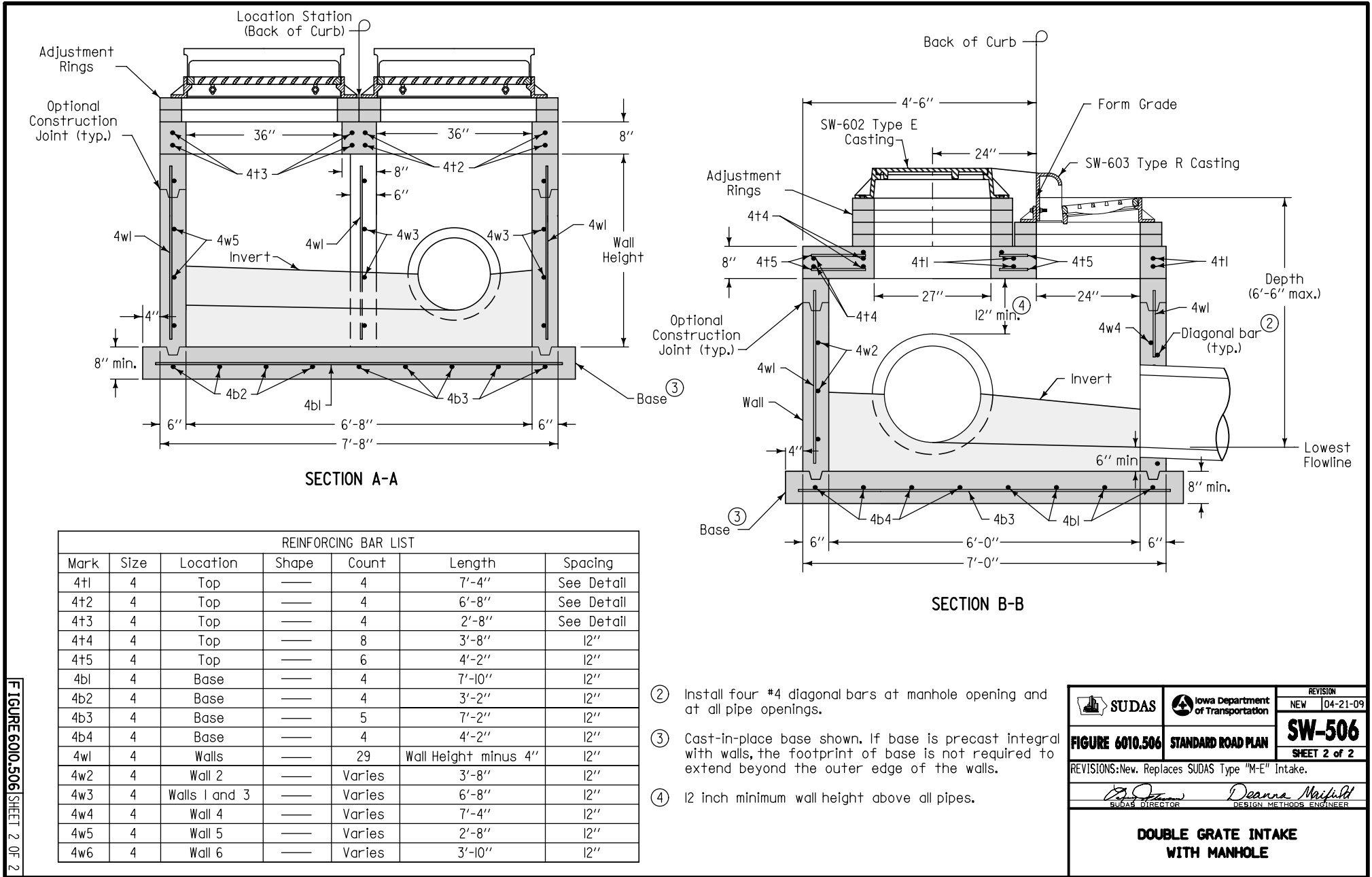


FIGURE 6010.506 SHEET 2 OF 2

SECTION A-A

SECTION B-B

REINFORCING BAR LIST

Mark	Size	Location	Shape	Count	Length	Spacing
4t1	4	Top	—	4	7'-4"	See Detail
4t2	4	Top	—	4	6'-8"	See Detail
4t3	4	Top	—	4	2'-8"	See Detail
4t4	4	Top	—	8	3'-8"	12"
4t5	4	Top	—	6	4'-2"	12"
4b1	4	Base	—	4	7'-10"	12"
4b2	4	Base	—	4	3'-2"	12"
4b3	4	Base	—	5	7'-2"	12"
4b4	4	Base	—	4	4'-2"	12"
4wl	4	Walls	—	29	Wall Height minus 4"	12"
4w2	4	Wall 2	—	Varies	3'-8"	12"
4w3	4	Walls 1 and 3	—	Varies	6'-8"	12"
4w4	4	Wall 4	—	Varies	7'-4"	12"
4w5	4	Wall 5	—	Varies	2'-8"	12"
4w6	4	Wall 6	—	Varies	3'-10"	12"

- ② Install four #4 diagonal bars at manhole opening and at all pipe openings.
- ③ Cast-in-place base shown. If base is precast integral with walls, the footprint of base is not required to extend beyond the outer edge of the walls.
- ④ 12 inch minimum wall height above all pipes.

		REVISION
		NEW 04-21-09
FIGURE 6010.506	STANDARD ROAD PLAN	SHEET 2 of 2
REVISIONS: New. Replaces SUDAS Type "M-E" Intake.		
DOUBLE GRATE INTAKE WITH MANHOLE		