

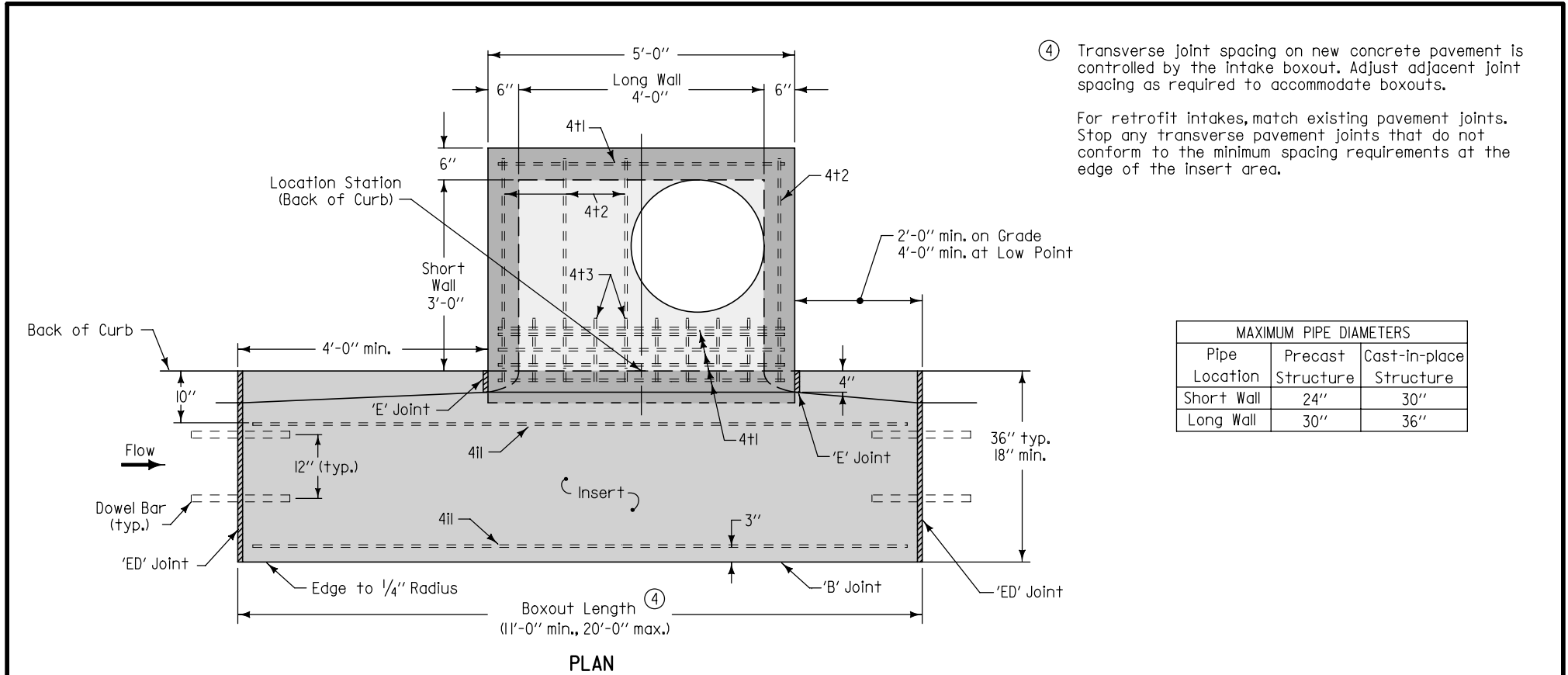
INSERT

- ① Modify dimensions as required to accommodate other curb heights when specified.
- ② Insert shaping may be modified for insert widths less than 36 inches. For an 18 inch insert, reduce dimensions indicated by 1/2 inch.
- ③ 12 inch minimum wall height above all pipes.

FIGURE 6010.507 SHEET 1 OF 2

TYPICAL SECTION

		REVISION
		NEW 04-21-09
FIGURE 6010.507	STANDARD ROAD PLAN	SW-507
		SHEET 1 of 2
REVISIONS: New. Replaces SUDAS Type "M-F" Intake.		
SUDAS DIRECTOR		DESIGN METHODS ENGINEER
SINGLE OPEN-THROAT INTAKE, SMALL BOX		



MAXIMUM PIPE DIAMETERS		
Pipe Location	Precast Structure	Cast-in-place Structure
Short Wall	24"	30"
Long Wall	30"	36"

REINFORCING BAR LIST						
Mark	Size	Location	Shape	Count	Length	Spacing
4t1	4	Top	—	6	4'-8"	See Insert
4t2	4	Top	—	4	3'-6"	12"
4t3	4	Top	—	10	10"	6"
4b1	4	Base	—	6	3'-6"	11"
4b2	4	Base	—	5	4'-6"	10"
4il	4	Insert	—	4	Boxout Length minus 8"	See Plan
4w1	4	Walls	—	14	Wall Height minus 4"	14"
4w2	4	Long Walls	—	Varies	4'-8"	12"
4w3	4	Short Walls	—	Varies	3'-8"	12"

FIGURE 6010.507 SHEET 2 OF 2

SUDAS	Iowa Department of Transportation	REVISION
		NEW 04-21-09
FIGURE 6010.507	STANDARD ROAD PLAN	SW-507
		SHEET 2 of 2
REVISIONS: New. Replaces SUDAS Type "M-F" Intake.		
SUDAS DIRECTOR		DESIGN METHODS ENGINEER
SINGLE OPEN-THROAT INTAKE, SMALL BOX		