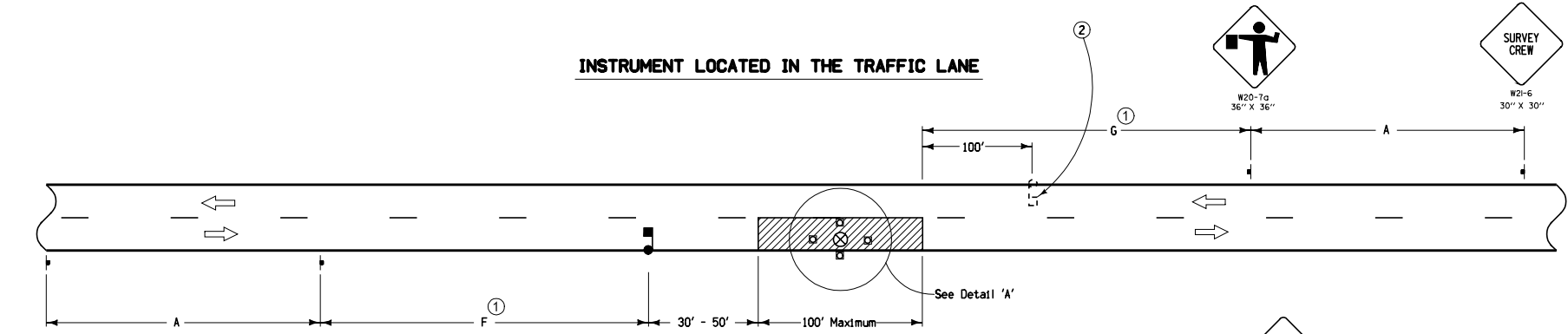
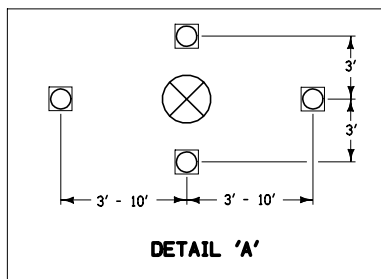
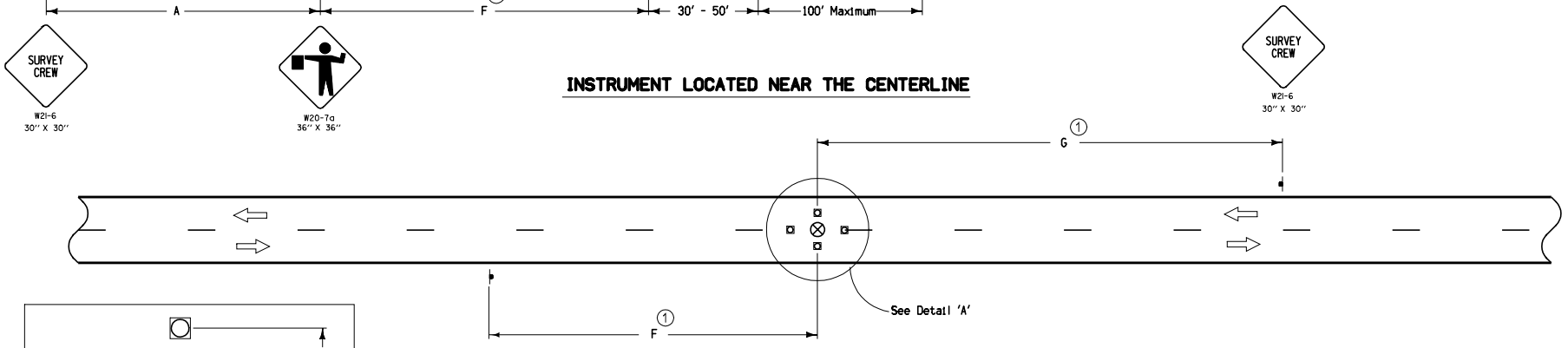


INSTRUMENT LOCATED IN THE TRAFFIC LANE



INSTRUMENT LOCATED NEAR THE CENTERLINE



When another person is required outside of the signing setup (e.g. for a survey target), a separate signing setup may be necessary unless the traffic lane can be vacated to accommodate traffic.

Contract Items:
Traffic Control
Flaggers

- ① Keep F and G distances as near to minimum values as work permits. However, to be able to move the work area without moving the advance signing, F and G values may be varied within the limits of the table. Maximum movement can be achieved by setting one F or G value at the minimum and the other value at its maximum.
- ② Use a second flagger if:
 - the flagger's view of approaching traffic in the open lane is less than a quarter mile or the work site is in an area of restricted sight distance (such as a "No-Passing" zone); or
 - excessive traffic delays are encountered.

LEGEND

- Traffic Sign
- Instrument Person
- Cone
- Work Area
- Flagger
- Direction of Traffic

SPEED LIMIT (mph)	A	With Lane Closure	Without Lane Closure	F + G Maximum
		F and G ①	F and G ①	
35 or less	250'	250' - 3250'	500' - 3000'	3500'
40 - 45	350'	350' - 3350'	700' - 3000'	3700'
50 or greater	500'	500' - 3500'	1000' - 3000'	4000'

<p>STANDARD ROAD PLAN</p> <p>REVISIONS: Modified speed limit table variables.</p> <p><i>Deanna Macfadyen</i> APPROVED BY DESIGN METHODS ENGINEER</p>	REVISION 1 10-21-08
	<p>TC-283</p> <p>SHEET 1 of 1</p>
	<p>SURVEYING OPERATIONS</p>