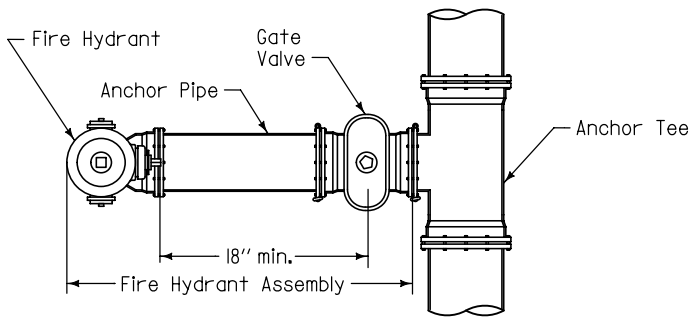
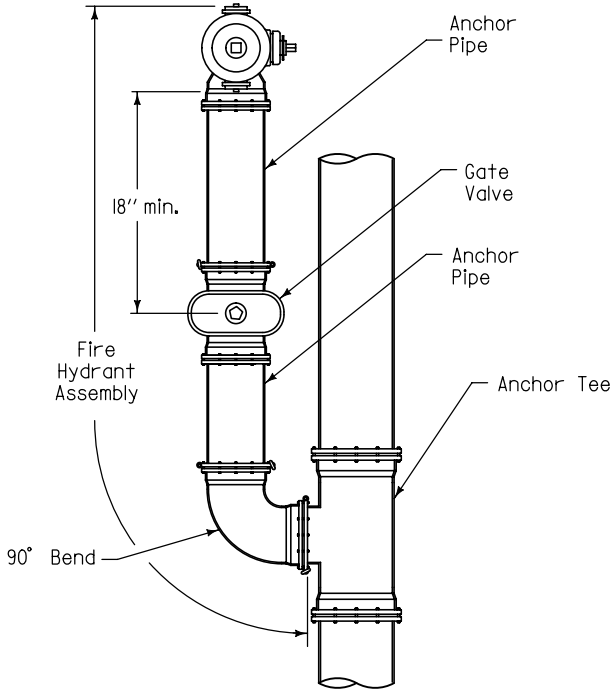


TYPICAL SECTION



TYPICAL PLAN



ALTERNATE PLAN

Use ductile iron pipe with restrained mechanical joints for fire hydrant assembly and anchor tee.

- ① Refer to WM-102 for details of tracer system.
- ② Do not cover drain holes or tracer wire.

FIGURE 5020.201 SHEET 1 OF 1

SUDAS	Iowa Department of Transportation	REVISION
		NEW 04-21-09
FIGURE 5020.201	STANDARD ROAD PLAN	WM-201
		SHEET 1 of 1
REVISIONS: New. Replaces SUDAS Figure 5020.1.		
SUDAS DIRECTOR		DESIGN METHODS ENGINEER
FIRE HYDRANT ASSEMBLY		