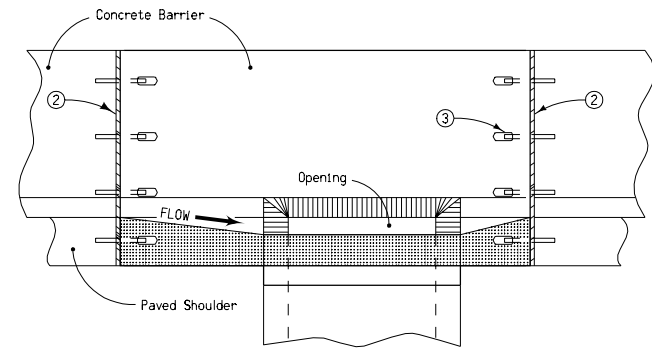
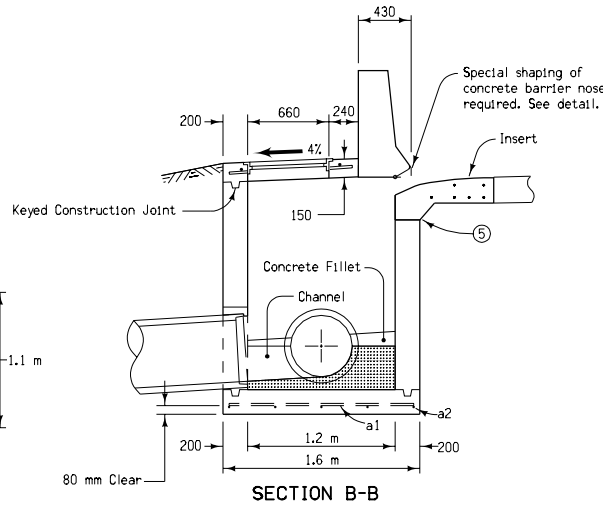


PLAN

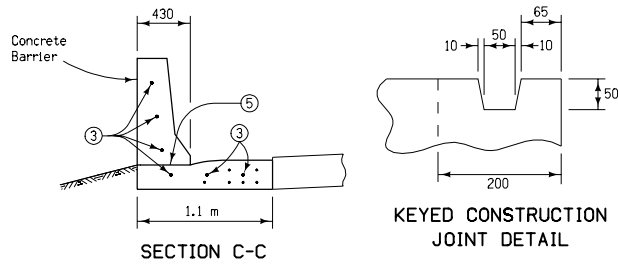


SECTION A-A

REINFORCING BAR LIST							
MARK	SIZE	LOCATION	SHAPE	NO.	LENGTH	MASS	SPACING
a1	15	Base	—	5	1500	12 kg	375
a2	15	Base	—	5	1500	12 kg	375
b1	15	Top	—	3	1000	5 kg	See Detail
b2	15	Top	—	2	1500	5 kg	See Detail
c1	15	Insert	—	6	3300	31 kg	See Detail
					3900	37 kg	
				Total		65 kg	
						71 kg	

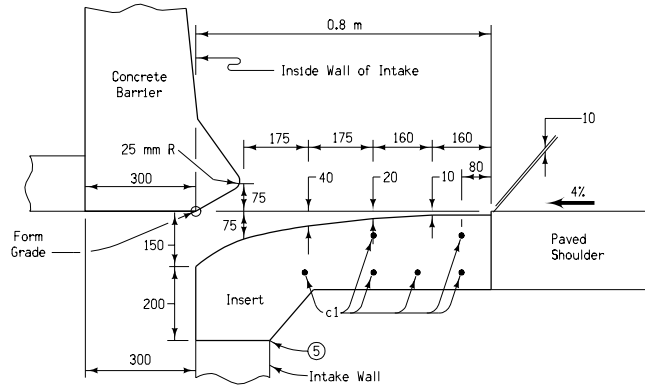


SECTION B-B



SECTION C-C

KEYED CONSTRUCTION JOINT DETAIL



SPECIAL SHAPING OF INSERT

Contract Item:
Intake, RA-46.

- ① Use standard utility access ring and cover (RA-55 Type 1, Light Duty)
- ② 'ED' joint. Refer to Standard Road Plan RH-52 for details.
- ③ (6) 300 millimeter smooth dowel bars in insert and 6 dowel bars in concrete barrier per installation.
- ④ 0.6 meters on grade, 1.2 meters at low point.
- ⑤ Trowel smooth and place subgrade paper to prevent bond.

Placing sequence: 1. Base; 2. Walls; 3. Top; 4. Insert.

All dimensions given in millimeters unless noted.

METRIC VERSION		
	STANDARD ROAD PLAN RA-46	
	REVISION: Change 'EE' Joint to 'ED' and remove notes covered in the Specifications Book.	REVISION NO. 3
	APPROVED BY: <i>William J. Sten</i> DESIGN METHODS ENGINEER	REVISION DATE 04-19-05
	INTAKE FOR HALF SECTION BARRIER (With Utility Access)	