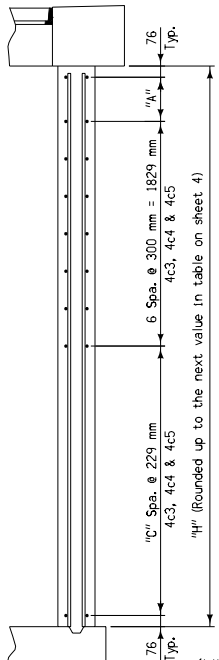
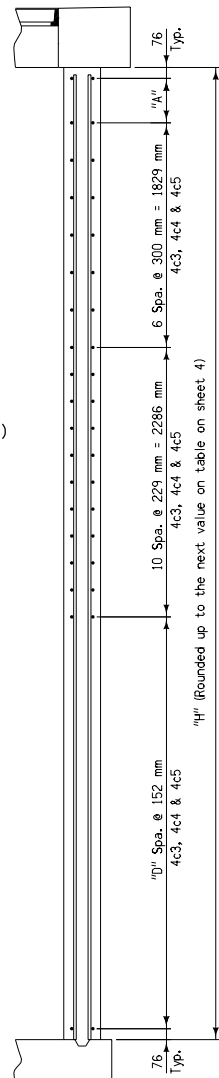


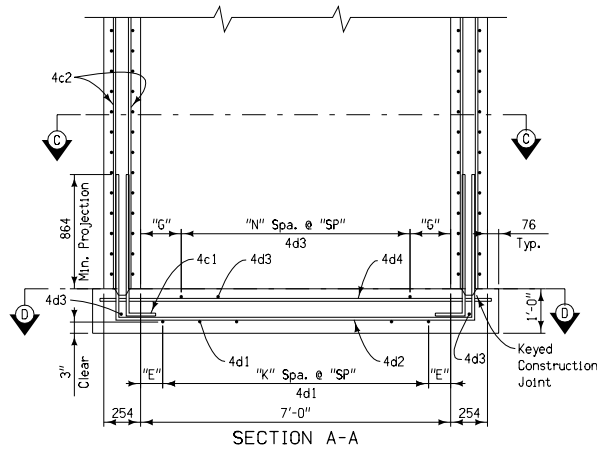
PART SECTION A-A
(Where H = 0.914m to 2.134m)



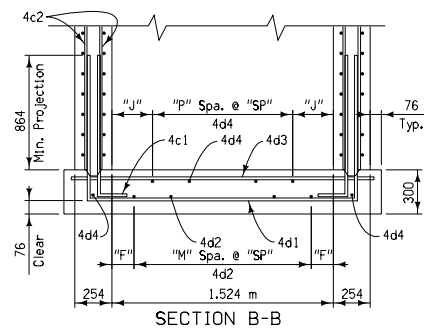
PART SECTION A-A
(Where H = 2.438m to 4.572m)



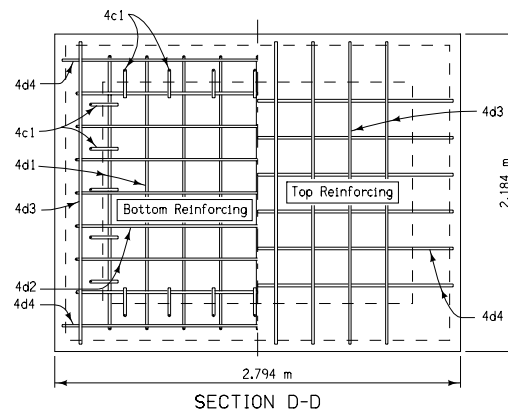
PART SECTION A-A
(Where H = 4.877m to 8.534m)



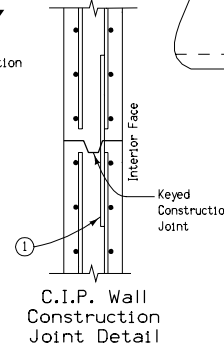
SECTION A-A



SECTION B-B

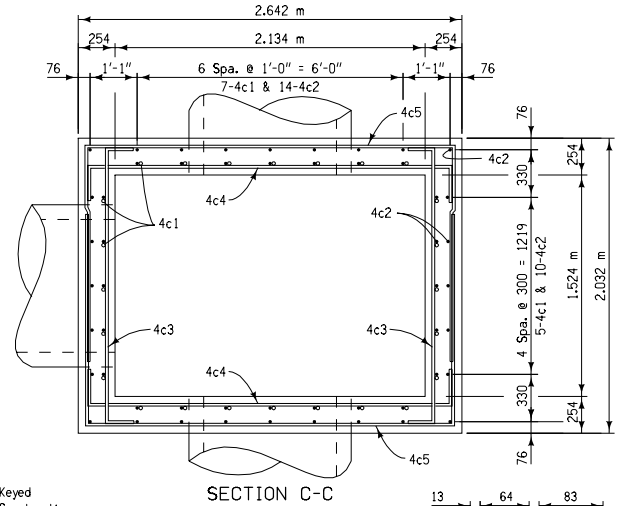


SECTION D-D

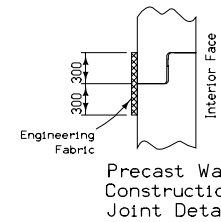


C.I.P. Wall
Construction
Joint Detail

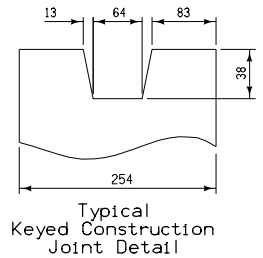
The clear distance from face of concrete to near edge or end of reinforcing bar to be 51 mm unless otherwise noted.



SECTION C-C



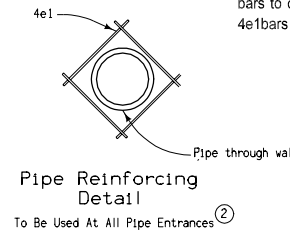
Precast Wall
Construction
Joint Detail



Typical
Keyed Construction
Joint Detail

- One set of 4r1 x 900 mm dowel bars @ 300 mm spacing required in wall at any wall joints. 24 4r1 bars required, total weight = 11.34 kg.
- 4e1 bar length to be pipe diameter plus 300 mm. 4e1 bar to be placed inside of vertical reinforcing. Main reinforcing bars to be shifted as required for pipe entrance. Field cut bars to clear bottom of base 75 mm clear from bottom and 50 mm clear from walls. 4e1 bars required = 8.

All dimensions given in millimeters unless noted.



Pipe Reinforcing
Detail

To Be Used At All Pipe Entrances

| | | | |
|---|---|---|---------------------------|
| METRIC VERSION | M | Iowa Department of Transportation Highway Division | |
| | STANDARD ROAD PLAN RA-47A(2) | | REVISION NO. NEW |
| | REVISION: NEW. | | REVISION DATE 04-18-06 |
| | APPROVED BY DESIGN METHODS ENGINEER | | |
| TRIPLE GRATE BARRIER INTAKE, RECTANGULAR (Sheet 2 of 4) | | | |