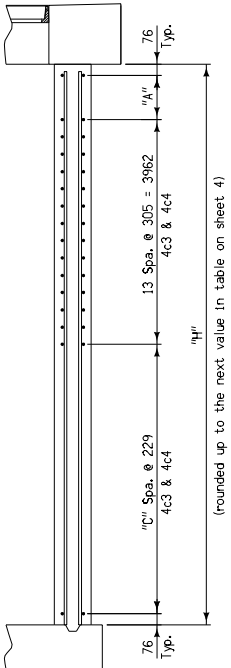
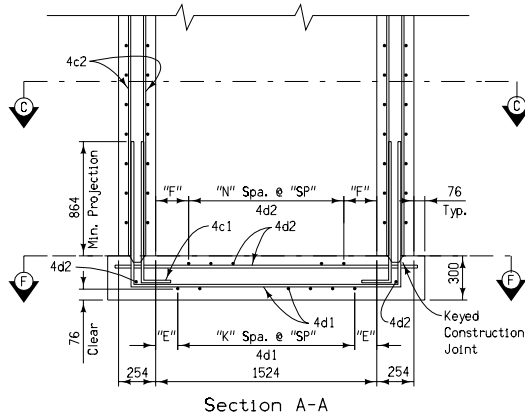


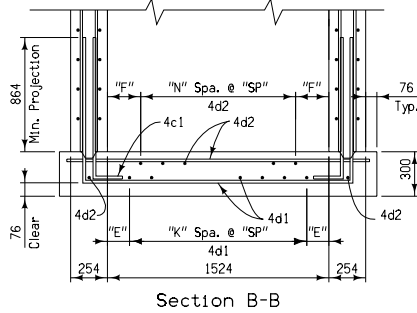
Part Section A-A  
(H = 0.914 m to H = 4.267 m)



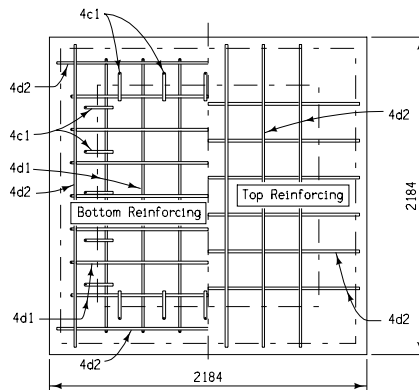
Part Section A-A  
(H = 4.572 m to H = 8.534 m)



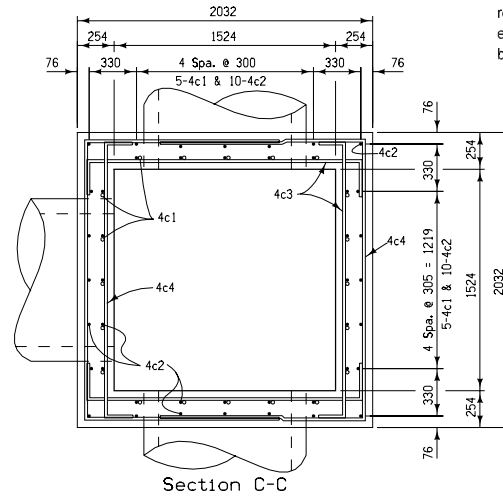
Section A-A



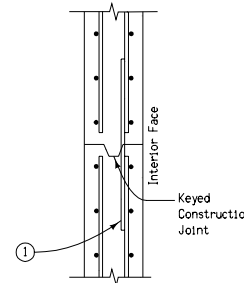
Section B-B



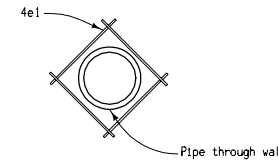
Section F-F



Section C-C



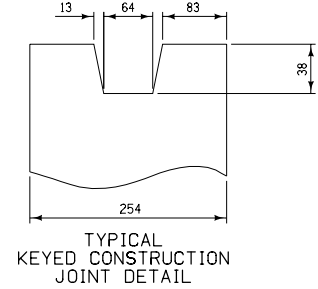
C.I.P. Wall Construction Joint Detail



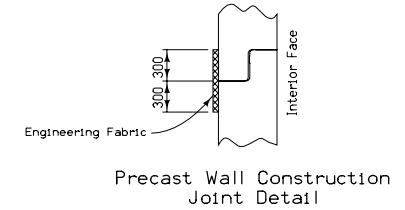
Pipe Reinforcing Detail

To Be Used At All Pipe Entrances ②

- ① One set of 4r1 x 914 mm dowel bars @ 300 mm spacing required in wall at any wall joints. 20 4r1 bars required, total weight = 18.14 kg.
- ② 4e1 bar length to be pipe diameter plus 300 mm. Eight 4e1 bars required per pipe entrance. 4e1 bar to be placed inside of vertical reinforcing. Main reinforcing bars to be shifted as required for pipe entrance. Field cut bars to clear bottom of base 75 mm clear from bottom and 50 mm clear from walls.



TYPICAL KEYED CONSTRUCTION JOINT DETAIL



Precast Wall Construction Joint Detail

The clear distance from face of concrete to near edge or end of reinforcing bar to be 50 mm unless otherwise noted.

All dimensions given in millimeters unless noted.

<b>M</b> <b>METRIC VERSION</b>	Iowa Department of Transportation Highway Division	
	<b>STANDARD ROAD PLAN RA-48A(2)</b>	
	REVISION: NEW	REVISION NO. NEW
	<i>Deanna Marfeldt</i> APPROVED BY DESIGN METHODS ENGINEER	
		REVISION DATE 04-18-06
SINGLE GRATE BARRIER INTAKE, RECTANGULAR (Sheet 2 of 4)		