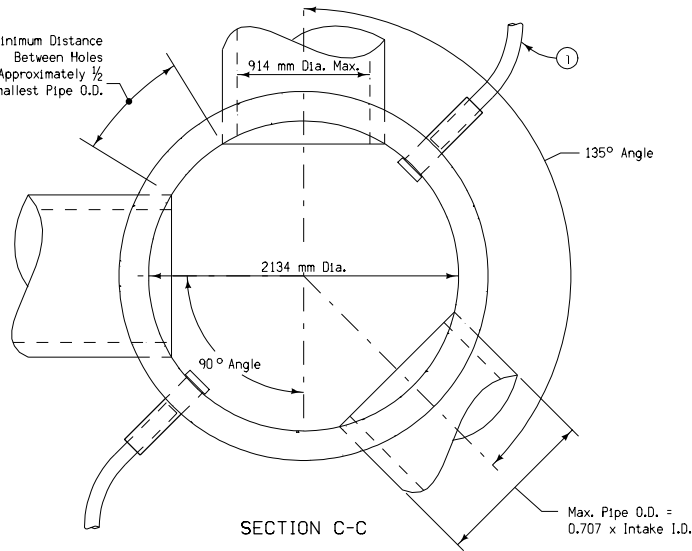
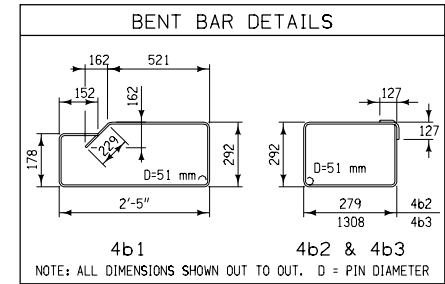


Minimum Distance
Between Holes
Approximately 1/2
of Smallest Pipe O.D.



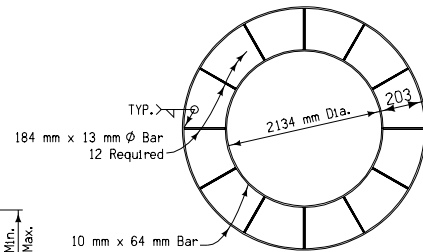
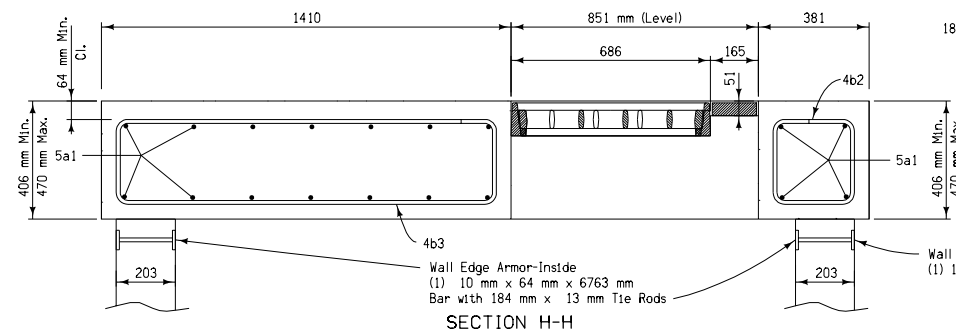
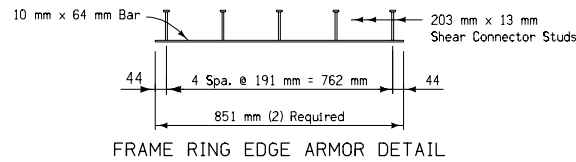
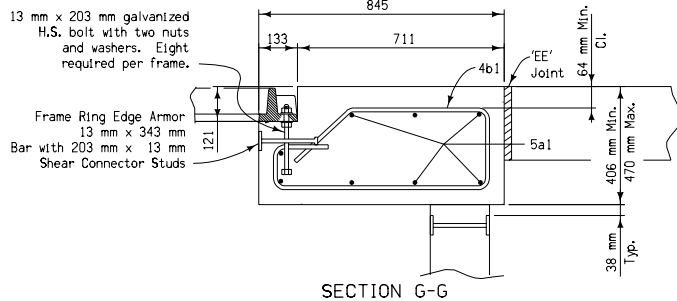
BILL OF REINFORCING STEEL					
ONE GRATE INTAKE LID - EPOXY COATED					
BAR	LOCATION	SHAPE	NO.	LENGTH	MASS
5a1	Lid, Longitudinal & Transverse	—	34	2540	11.8
4b1	Lid Hoop	⌈	4	1829	8.1
4b2	Lid Hoop	⌈	3	1397	4.1
4b3	Lid Hoop	⌈	3	3454	10.4
EPOXY COATED REINFORCING STEEL - TOTAL 156.9					



QUANTITY SUMMARY FOR ONE GRATE INTAKE LID

Concrete	2.5 m ³
Epoxy Coated Reinforcing Steel	70.9 kg

* Based on Minimum thickness = 406 mm



① Possible Subdrain. See Plans for location and elevation. See Standard Road Plan RF-19C for connection details.

All dimensions given in millimeters unless noted.

M	METRIC VERSION	<p>Iowa Department of Transportation</p>	REVISION
			1 10-17-06
			STANDARD ROAD PLAN
			RA-48B(3)
<p>APPROVED BY DESIGN METHODS ENGINEER</p>			SHEET 3 of 5
<p>SINGLE GRATE BARRIER INTAKE, CIRCULAR</p>			