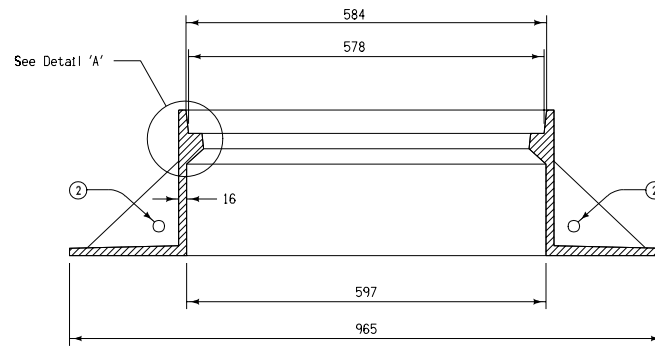
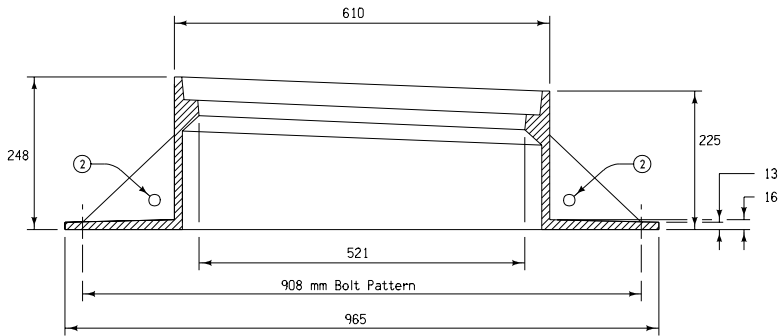


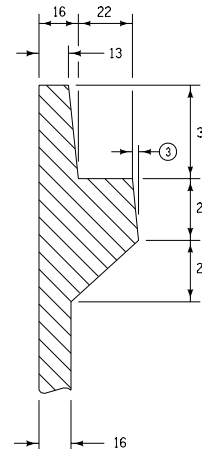
PLAN



SECTION A-A



SECTION B-B



DETAIL 'A'

- ① Provide 14 mm diameter holes at locations indicated.
- ② Drill or Core 19 mm holes.
- ③ DRAFT (Small Casting Taper) will be permitted.

Minimum Mass = 95 kg

See Standard Road Plan RA-67A for details of Type 10 Grate.

All dimensions given in millimeters unless noted.

M METRIC VERSION		
	STANDARD ROAD PLAN RA-67B	
	REVISION: Remove General Notes.	REVISION NO. 2
	 APPROVED BY DESIGN METHODS ENGINEER	REVISION DATE 10-19-04
FRAME FOR TYPE 10 GRATE		