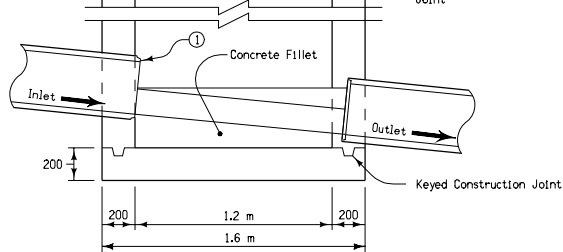
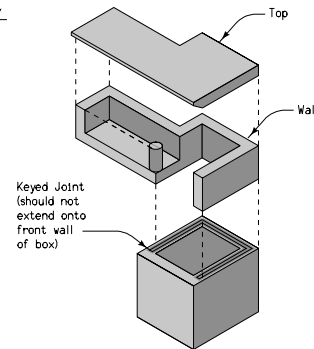


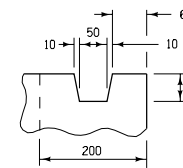
SECTION A-A
(Typical Extension Unit)



SECTION B-B
(Typical Intake Well)



ISOMETRIC VIEW
INTAKE WELL, WALLS AND TOP



KEYED CONSTRUCTION
JOINT DETAIL

Extension unit may be used on either or both sides of intake. Details are similar when extension unit is on the opposite side.

Contract Item:
Intake, RA-70

- ① Inlet and outlet pipes to be trimmed flush with inside wall.
- ② Slope same as gutter. Drain to well.
- ③ Other lengths of opening may be constructed by varying the length of the extension and the rebar.
- ④ Includes 50 mm for 'ED' joints.

For joint details,
see Standard Road Plans
RH-50, RH-51, and RH-52.

All dimensions given in millimeters unless noted.

TABLE OF DIMENSIONS					
LO	Length of Curb Opening	3.6 m	4.2 m	4.8 m	5.4 m
EL	Extension Length	2.35 m	2.95 m	3.55 m	4.15 m
BL	Minimum Boxout Length	4.85 m	5.45 m	6.05 m	6.65 m

M METRIC VERSION		
	STANDARD ROAD PLAN RA-70(1)	
	<small>REVISION: Change 'EE' to 'ED' Joints and remove notes covered in the Specifications Book; revise 'BL' values.</small>	<small>REVISION NO. 3</small>
	<small>APPROVED BY DESIGN METHODS ENGINEER</small> <i>William J. Stein</i>	<small>REVISION DATE 04-19-05</small>
CURB INTAKE WITH EXTENDED OPENING (Sheet 1 of 3)		