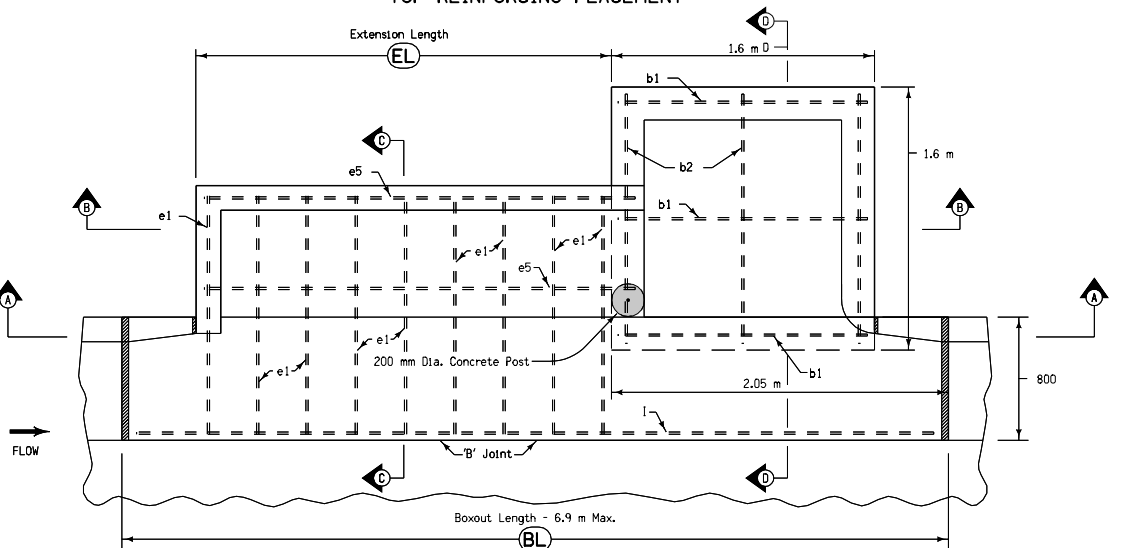
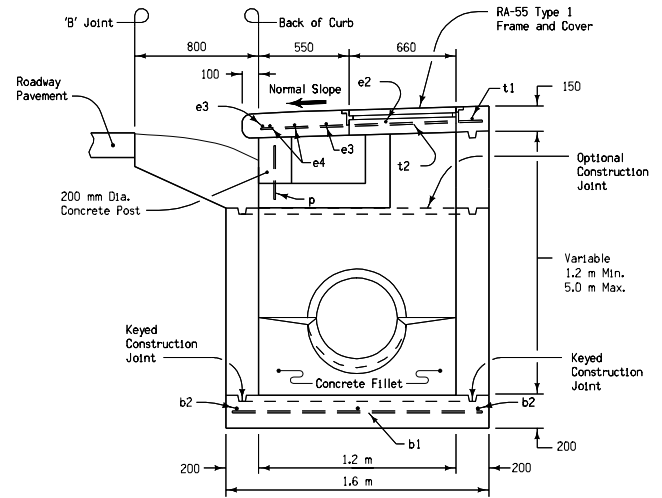


PLAN VIEW
TOP REINFORCING PLACEMENT



PLAN VIEW
BOTTOM REINFORCING PLACEMENT



SECTION D-D

REINFORCING BAR LIST						
Intake Well						
SIZE	MARK	LOCATION	NO.	LENGTH	MASS	SPACING
15	b1	Base	3	1500	7.1	710
15	b2	Base	3	1500	7.1	710
15	t1	Top	1	1500	2.4	
15	t2	Top	4	1360	8.5	See Detail
15	p	Post	1	330	0.5	
Total					25.6 Kg	

All dimensions given in millimeters unless noted.

M METRIC VERSION		Iowa Department of Transportation Highway Division
	STANDARD ROAD PLAN RA-70(2)	
	REVISION: Change maximum depth to 5.0 m (Section D-D); correct dimension on top reinforcing (Plan View).	
	APPROVED BY: <i>William J. Stein</i> DESIGN METHODS ENGINEER	
	REVISION NO. 2	REVISION DATE 10-18-05
CURB INTAKE WITH EXTENDED OPENING (Sheet 2 of 3)		