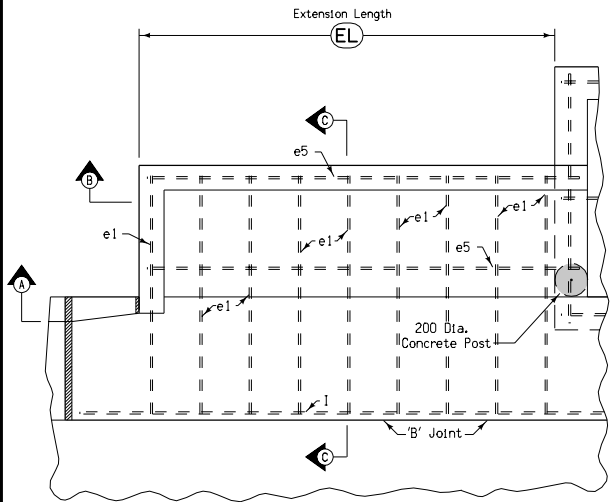
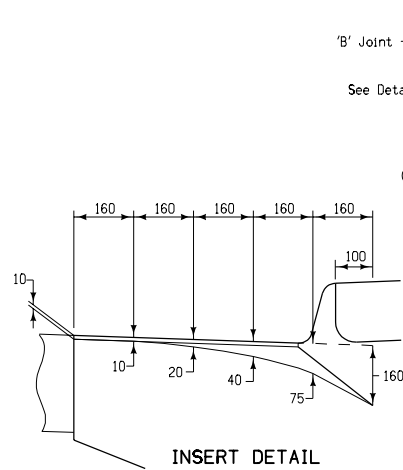


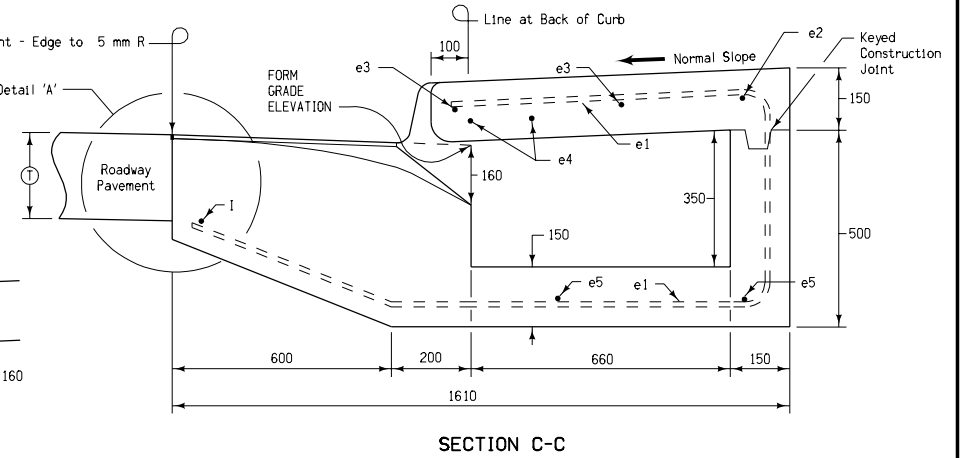
PLAN VIEW  
TOP OF EXTENSION REINFORCING PLACEMENT



PLAN VIEW  
BOTTOM OF EXTENSION REINFORCING PLACEMENT



INSERT DETAIL

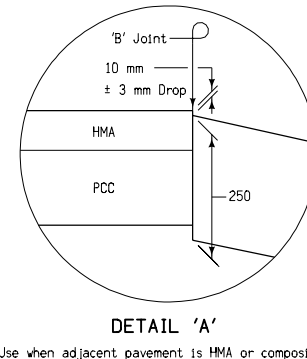


SECTION C-C

REINFORCING BAR LIST (LO) = 3.6 m						
MARK	SIZE	LOCATION	NO.	LENGTH	MASS	SPACING
e1	15	Top/Base	9	2805	39.63	300
e2	15	Top	1	3050	4.79	
e3	15	Top	2	3900	12.25	390
e4	15	Top	2	3900	12.25	150
e5	15	Base	2	2500	7.85	550
I*	15	Insert	1	4830	7.58	
* With 5.03 m Boxout.				Total	84.65 kg	

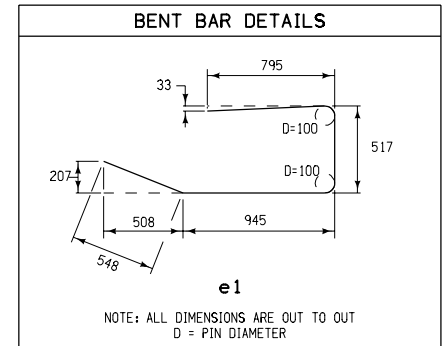
REINFORCING BAR LIST (LO) = 4.2 m						
MARK	SIZE	LOCATION	NO.	LENGTH	MASS	SPACING
e1	15	Top/Base	11	2805	39.63	300
e2	15	Top	1	3650	5.73	
e3	15	Top	2	4500	14.13	390
e4	15	Top	2	4500	14.13	150
e5	15	Base	2	3100	9.73	550
I*	15	Insert	1	5440	8.54	
* With 5.64 m Boxout.				Total	91.89 kg	

REINFORCING BAR LIST (LO) = 4.8 m						
MARK	SIZE	LOCATION	NO.	LENGTH	MASS	SPACING
e1	15	Top/Base	13	2805	57.25	300
e2	15	Top	1	4250	6.67	
e3	15	Top	2	5100	16.01	390
e4	15	Top	2	5100	16.01	150
e5	15	Base	2	3700	11.62	550
I*	15	Insert	1	6050	9.50	
* With 6.25 m Boxout.				Total	117.06 kg	



DETAIL 'A'

Use when adjacent pavement is HMA or composite.



All dimensions given in millimeters unless noted.

REINFORCING BAR LIST (LO) = 5.4 m						
MARK	SIZE	LOCATION	NO.	LENGTH	MASS	SPACING
e1	15	Top/Base	15	2805	66.06	300
e2	15	Top	1	4850	7.61	
e3	15	Top	2	5700	17.90	390
e4	15	Top	2	5700	17.90	150
e5	15	Base	2	4300	13.50	550
I*	15	Insert	1	6660	10.46	
* With 6.86 m Boxout.				Total	133.43 kg	

<b>M</b> <b>METRIC VERSION</b>		
	<b>STANDARD ROAD PLAN RA-70(3)</b>	
	REVISION: Modify special shaping dimension on Insert detail; correct dimension on top of extension (plan view).	REVISION NO. 2
	APPROVED BY: <i>William J. Stettin</i> DESIGN METHODS ENGINEER	REVISION DATE 10-18-05
<b>CURB INTAKE WITH EXTENDED OPENING</b> (Sheet 3 of 3)		