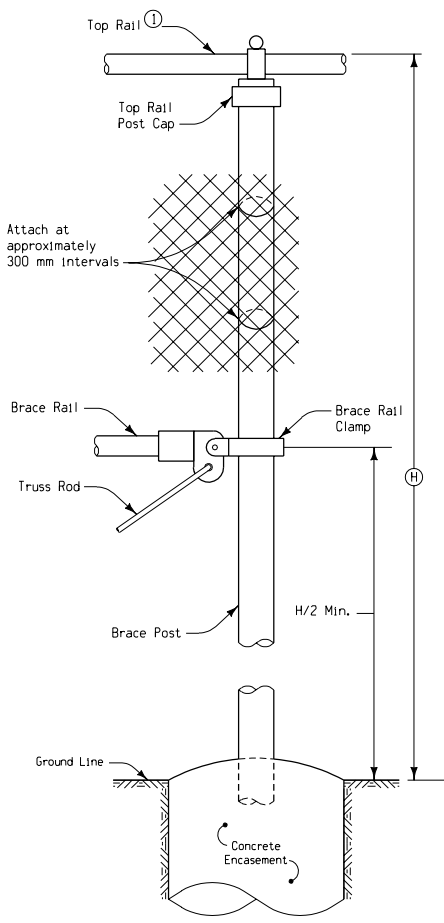
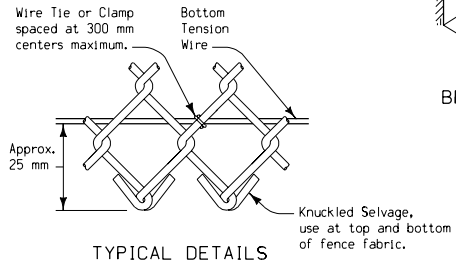


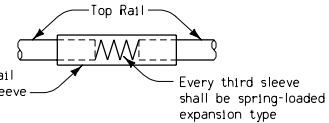
TYPICAL DETAILS  
ANGLE, CORNER,  
OR END POST ASSEMBLY



TYPICAL DETAILS  
BRACE POST ASSEMBLY



TYPICAL DETAILS  
BOTTOM TENSION WIRE  
AND KNUCKLED SELVAGE



TYPICAL DETAILS  
RAIL SLEEVE

**GENERAL NOTES:**

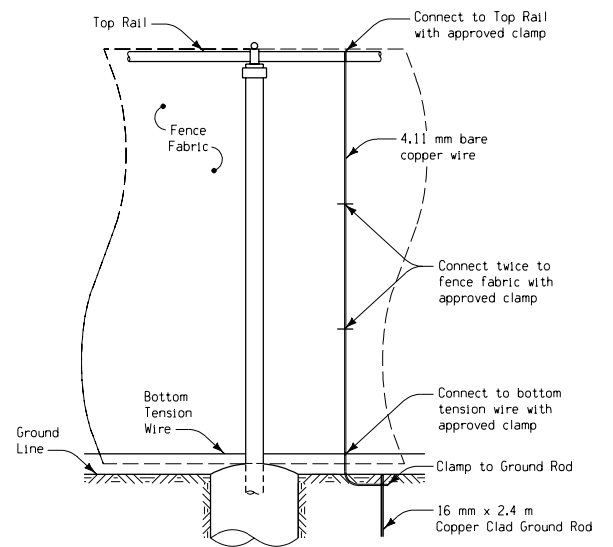
Construction of chain link fence shall be in conformance with current Standard and Supplemental Specifications.

Specific details of manufacture of component parts of the complete fence construction shall be subject to the approval of the Engineer. Commercially available items produced specifically for the use intended shall be used wherever possible in the construction of the fence.

Posts, braces, and rails of alternate cross-sectional shape, material, or protective coating may be used if approved in accordance with Office of Materials I.M. 454.10. Similar parts with different shapes or protective coatings shall not be intermingled within project limits. Approval for any alternate must be received before any such construction may proceed.

Chain link fabric may be zinc or aluminum coated in accordance current Standard and Supplemental Specifications.

① The chain link fence design shown shall only be used when the fence is placed outside the clear zone. Where chain link fence must be placed within the clear zone, a special design will be required showing the top rail replaced with a tension wire.



TYPICAL DETAILS GROUND ROD INSTALLATION

All dimensions given in millimeters unless noted.

<b>M</b> <b>METRIC VERSION</b>	<b>Iowa Department of Transportation</b> Project Development Division	
	<b>STANDARD ROAD PLAN</b>	<b>RC-11</b>
	REVISION: Revise Brace Post Assembly details; redrawn in CAD.	
	APPROVED BY: <i>[Signature]</i> DESIGN METHODS ENGINEER	12-28-98 REVISION DATE
REVISION NO. 4		04-27-99
SUPPLEMENTARY DETAILS OF CHAIN LINK FENCE		