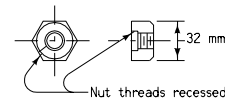
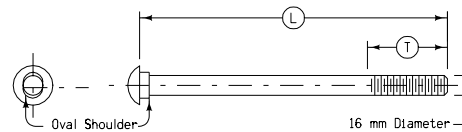
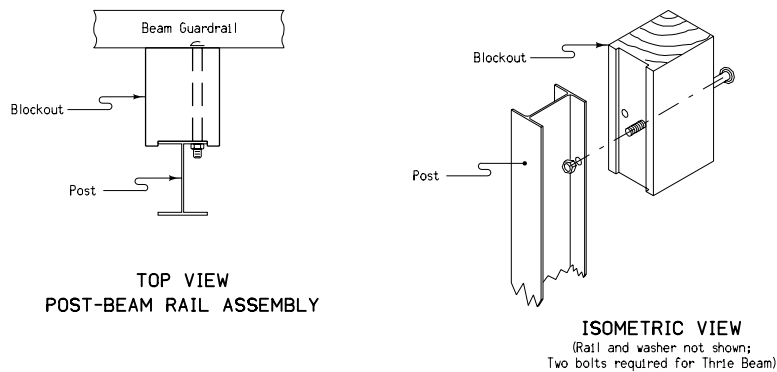


- ① Thrie Beam guardrail, spacer block, and post to be attached with two Beam Rail Bolts.
- ② W-Beam guardrail, spacer blocks and post to be attached with one Beam Rail Bolt.
- ③ Optional for handling during galvanizing. All holes 20 millimeter diameter.
- ④ Post length 1830 millimeters when used in place of wood post on normal beam guardrail installation.



APPLICATION	T	L
Beam Rail Bolt	65	250

L = Length of Bolt T = Min. Thread  
**DETAILS OF HARDWARE**

All dimensions given in millimeters unless noted.

<b>METRIC VERSION</b>	Iowa Department of Transportation Highway Division	
	<b>STANDARD ROAD PLAN RE-12C</b>	
	REVISION: Place Bolts So They Line Up Vertically (Thrie Beam); Delete Circle Notes 5 and 6.	REVISION NO. 8
	<i>William J. Sten</i> APPROVED BY DESIGN METHODS ENGINEER	REVISION DATE 10-19-04
<b>STEEL GUARDRAIL POST AND WOOD BLOCKOUTS</b>		