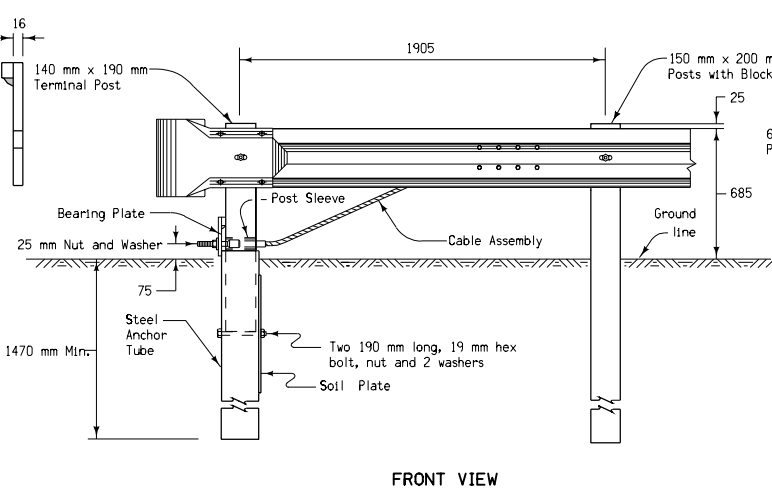
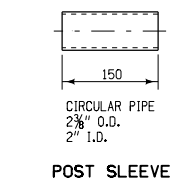
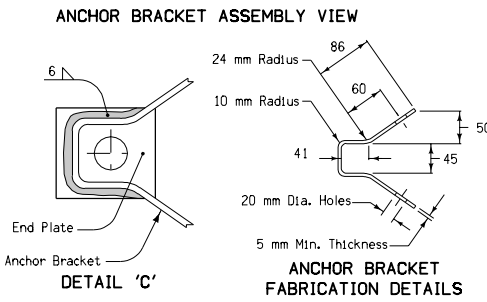
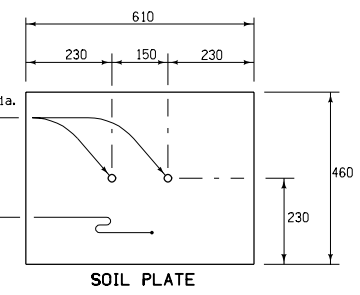
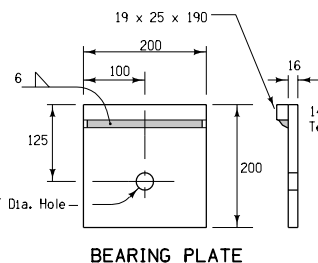
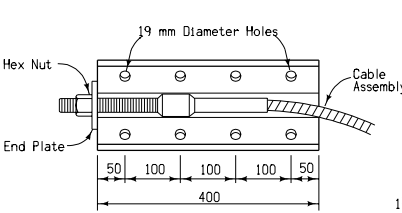
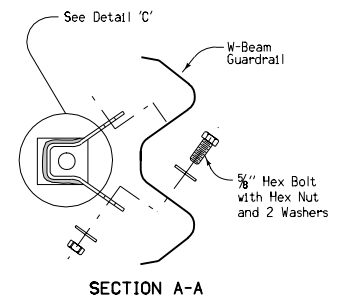
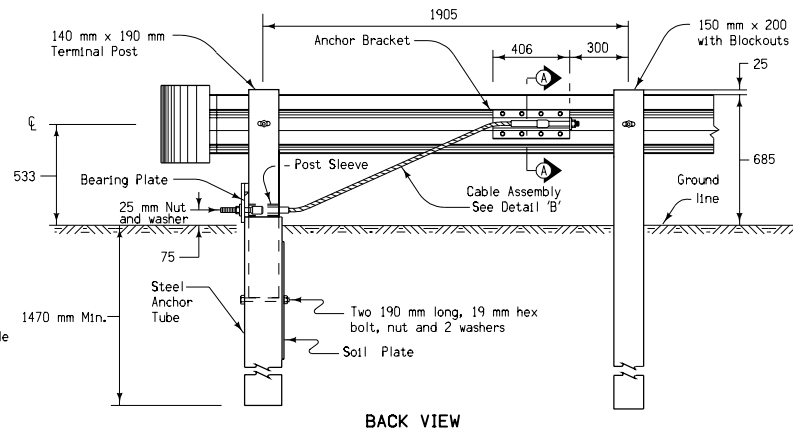
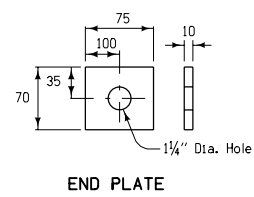
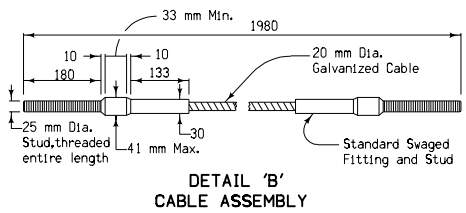


GENERAL NOTES:
 All hardware shall conform to the specifications set forth in "A Guide to Standardized Barrier Hardware", published by AASHTO.

The price bid for "Guardrail, End Anchorage, Beam, RE-33A", shall be considered full compensation for furnishing the materials detailed on this sheet and the construction of the end anchorage. W-beam guardrail and 150 mm x 200 mm post with blockout are not included with this bid item.

- ① Two 7.5" long, 3/4" hex bolt, nut and washers under head and nut.
- ② One 10" long, 3/4" hex bolt, nut and washers under head and nut.



All dimensions given in millimeters unless noted.

METRIC VERSION	Iowa Department of Transportation Highway Division	
	STANDARD ROAD PLAN RE-33A	
	REVISION: Remove bottom strut at ground line.	REVISION NO. 5
	APPROVED BY: <i>William J. Steen</i> DESIGN METHODS ENGINEER	REVISION DATE 10-21-03
BEAM GUARDRAIL END ANCHORAGE (W- BEAM)		