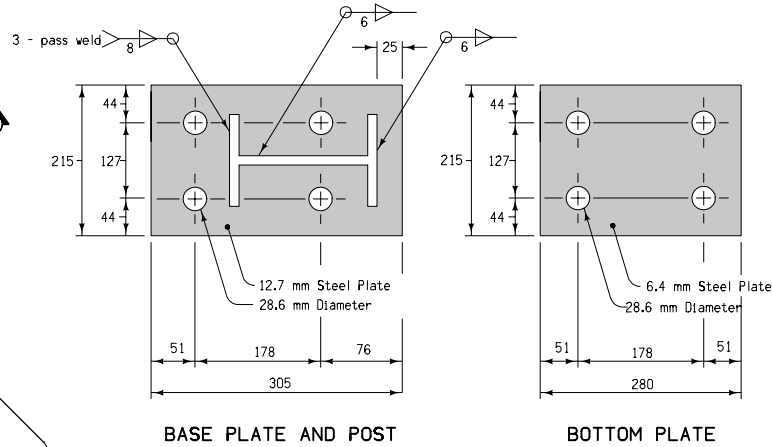


TYPICAL PLAN SPECIAL POST ADAPTER



BASE PLATE AND POST

BOTTOM PLATE

The Intent of the plan is to provide steel guardrail posts on top of box culverts or similar situations when wood post embeddings is not possible.

All steel posts and connecting hardware necessary in the construction and installation of the adapter shall be galvanized.

Contractor may elect to fabricate posts using 1.8 meter post and adjusting in the field as follows:

- A. Saw off top end to proper length and drill new holes.
- B. The sawed end and drilled holes shall be treated with two coats of organic zinc rich paint containing at least 94% zinc dust. The surfaces to be treated shall be free of oil residues due to sawing or drilling.

The price bid for "Guardrail, Special Post Adapter Unit, RE-37" shall be full compensation for furnishing, assembling, and installing the adapter unit as shown.

Contract Items:

- Guardrail, Special Post Adapter Unit
- Installation of Guardrail

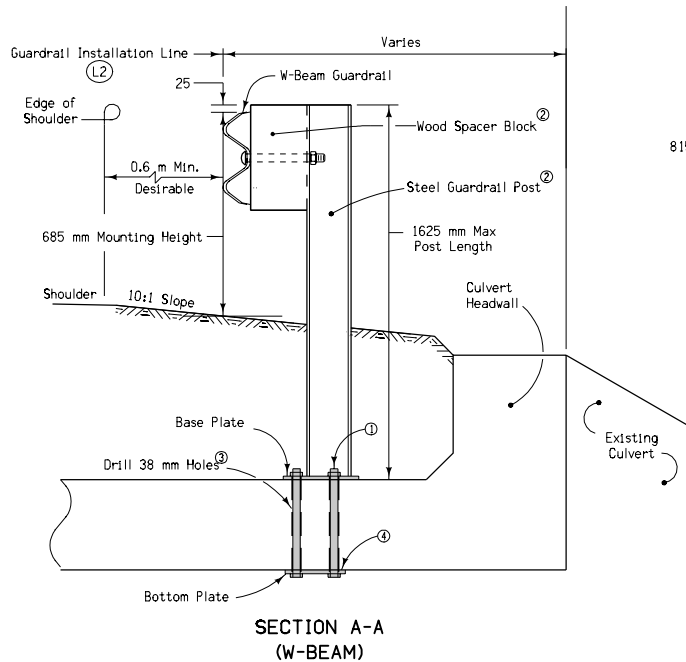
Incidental to adapter unit:

- 1 - 305 x 215 x 12.7 ASTM A36 Steel Plate
- 1 - 280 x 215 x 6.4 ASTM A36 Steel Plate
- 4 - 25 mm ASTM A307 Hex Head bolts with one nut and two washers per bolt

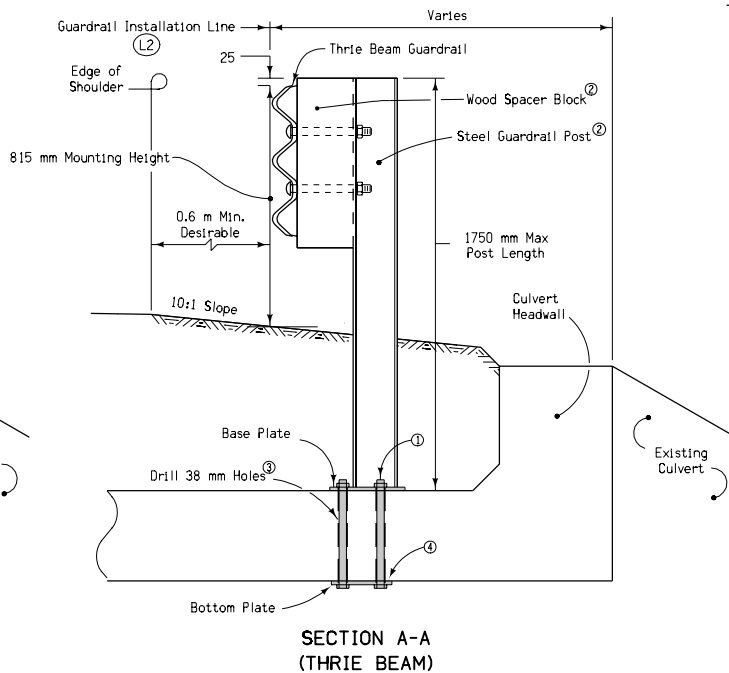
Incidental to Installation of Guardrail:

- W150 x 13.5 Steel Guardrail Post (variable length)
- 150 x 200 Wood Spacer Block (360 or 554 mm length)

Tabulation: 108-8B



SECTION A-A
(W-BEAM)



SECTION A-A
(THRIE BEAM)

- ① Bolt length equals slab thickness plus 50 millimeters. Field clip topside washers if necessary to clear weld.
- ② See Standard Road Plan RE-12C for steel guardrail post and breakout details.
- ③ Holes are to be made with equipment designed to cut through concrete and reinforcing steel.
- ④ Any spalling shall be grouted before placement of bottom plate. The grout shall consist of equal parts by weight of Portland cement and concrete sand, mixed with sufficient water to form a paste.

All dimensions given in millimeters unless noted.

M STANDARD ROAD PLAN REVISION	 Iowa Department of Transportation	REVISION	15 10-17-06	
		RE-37		
	<i>Deanna Mayfield</i> APPROVED BY DESIGN METHODS ENGINEER		SHEET 1 of 1	
	GUARDRAIL SPECIAL POST ADAPTER UNIT			