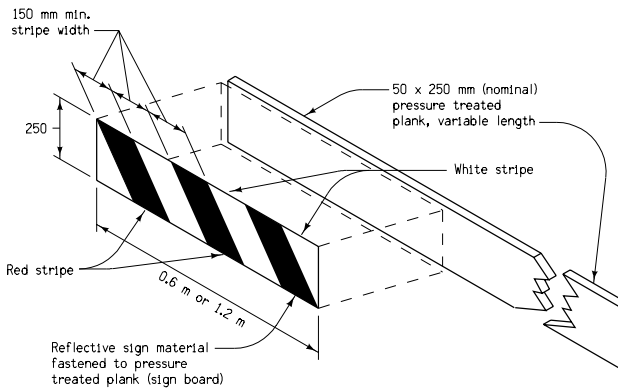


PLAN - TYPICAL INSTALLATION

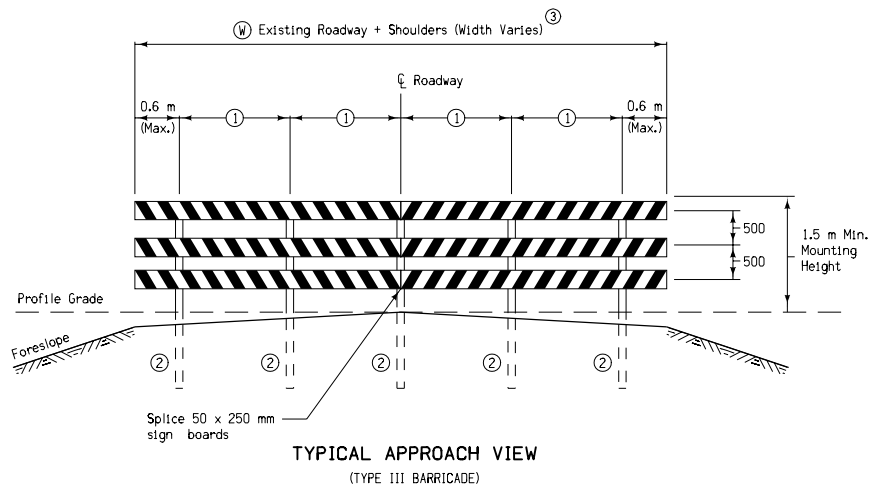


DETAILS OF SIGN BOARD CONSTRUCTION

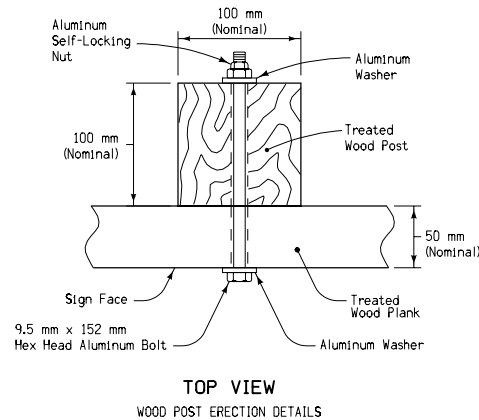
GENERAL NOTES:

Price bid for "RE-3A Permanent Road Closure (Rural)", per linear 0.1 meter, shall be considered full compensation for furnishing and installing the barricade as shown hereon and as indicated on project plans. The cost to furnish and install the "DEAD END" sign shall be included in the price bid for "RE-3A Permanent Road Closure (Rural)".

- ① Evenly spaced (max. 1.5 meters).
- ② 100 millimeter x 100 millimeter x 3.0 meter (nominal) pressure treated wood posts.
- ③ Method of Measurement: The length of the permanent road closure barricade will be measured to the nearest 0.1 meter.
Basis of Payment: For the length of barricade installed as determined in this standard, the contractor will be paid the contract unit price per meter.



TYPICAL APPROACH VIEW
(TYPE III BARRICADE)



TOP VIEW
WOOD POST ERECTION DETAILS

All dimensions given in millimeters unless noted.

| | | |
|---------------------------------------|--|---------------------------|
| M METRIC VERSION | Iowa Department of Transportation Highway Division | |
| | STANDARD ROAD PLAN RE-3A | |
| | REVISION: Change length of wood posts from 2.4 meters to 3.0 meters. | REVISION NO. 7 |
| | APPROVED BY: <i>William J. Sten</i> DESIGN METHODS ENGINEER | REVISION DATE 04-20-04 |
| PERMANENT ROAD CLOSURE (RURAL) | | |