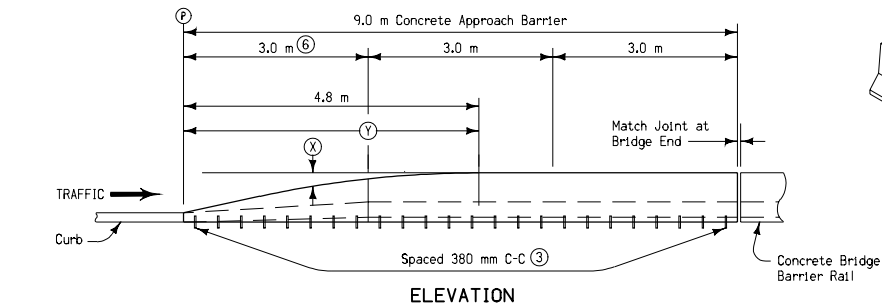
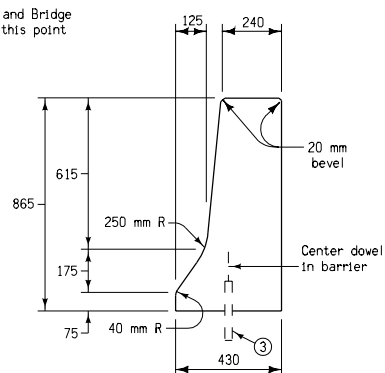


PLAN VIEW

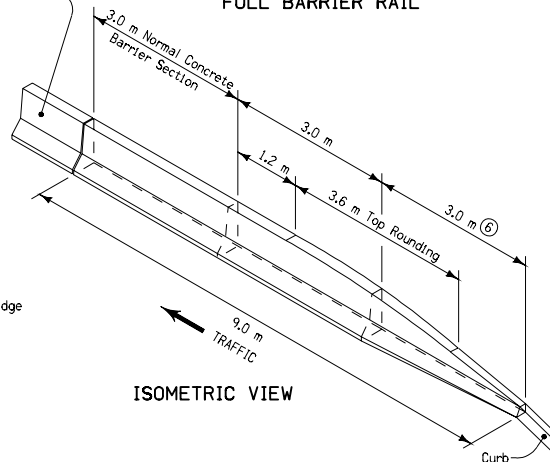


ELEVATION

OFFSETS FOR ROUNDED BARRIER TOP																	
Y = Distance from (P)	mm	300	600	900	1200	1500	1800	2100	2400	2700	3000	3300	3600	3900	4200	4500	4800
X = Offset to Rounded Top	mm	649	583	517	451	385	322	265	214	166	127	91	61	37	19	7	0



SECTION FULL BARRIER RAIL



ISOMETRIC VIEW

GENERAL NOTES:

Details shown hereon describe the construction requirements for a cast-in-place concrete approach barrier for use at a bridge (with sidewalk) which will utilize a concrete pedestrian barrier as part of the concrete bridge barrier rail.

Barrier shall be constructed as specified in section 2513 of the current specifications or by methods approved by the Engineer.

Concrete approach barrier shall have a 'C' joint installed to match the location of all joints in both roadway and bridge approach pavement.

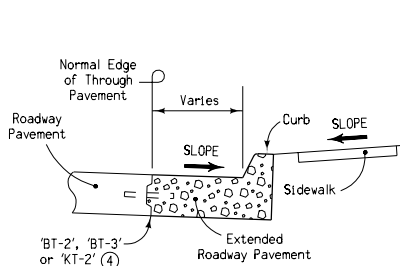
Delineators and object markers shall not be placed in front of, or on, the barrier.

Price bid for "RE-46 Concrete Approach Barrier" shall include all necessary work and material to construct one (1) barrier a minimum of 9 meters in length as detailed hereon. Additional concrete quantity required for extended roadway pavement, as detailed hereon or as directed by the Engineer, shall be included in roadway paving quantity.

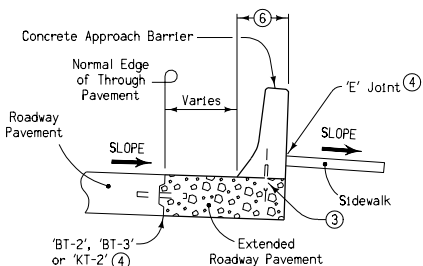
Where sidewalk is required, it shall be measured and paid for separately.

NOTE - Approximately 2.0 cubic meters of concrete are required to construct barrier as shown. Amount may vary depending on individual site requirements.

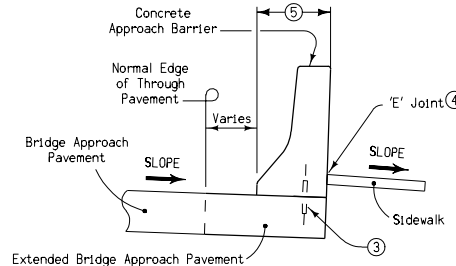
- ① Joint spacing and location are typical. Specific project requirements shall be as directed by the Engineer.
- ② Boxout width shall match existing curb and gutter joint. If curb and gutter are not constructed, boxout width shall be 600 millimeters.
- ③ #25 x 200 millimeter deformed bars or 25 millimeter diameter smooth dowels.
- ④ For joint detail, refer to RH-50, RH-51 and RH-52.
- ⑤ Bottom width of barrier is maintained at 430 millimeters.
- ⑥ Bottom width of barrier transitions from 200 to 430 millimeters.



SECTION A-A



SECTION B-B



SECTION C-C

All dimensions given in millimeters unless noted.

METRIC VERSION	M	Iowa Department of Transportation Highway Division	
		STANDARD ROAD PLAN RE-46	
	REVISION: Added object marker information to the general notes.		REVISION NO. 11
	<i>William J. Stan</i> APPROVED BY DESIGN METHODS ENGINEER		REVISION DATE 10-29-02
DETAIL OF CONCRETE APPROACH BARRIER (35 MPH OR LESS)			