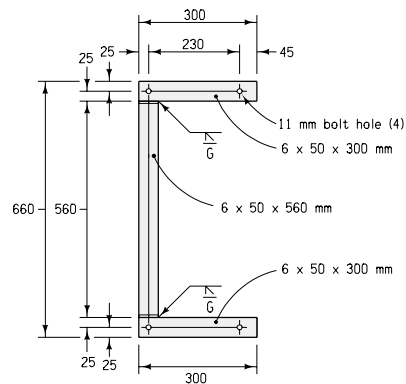
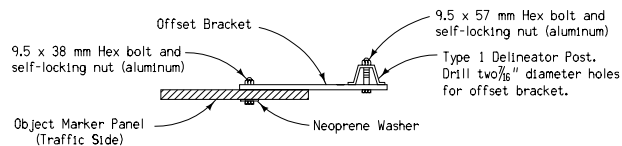
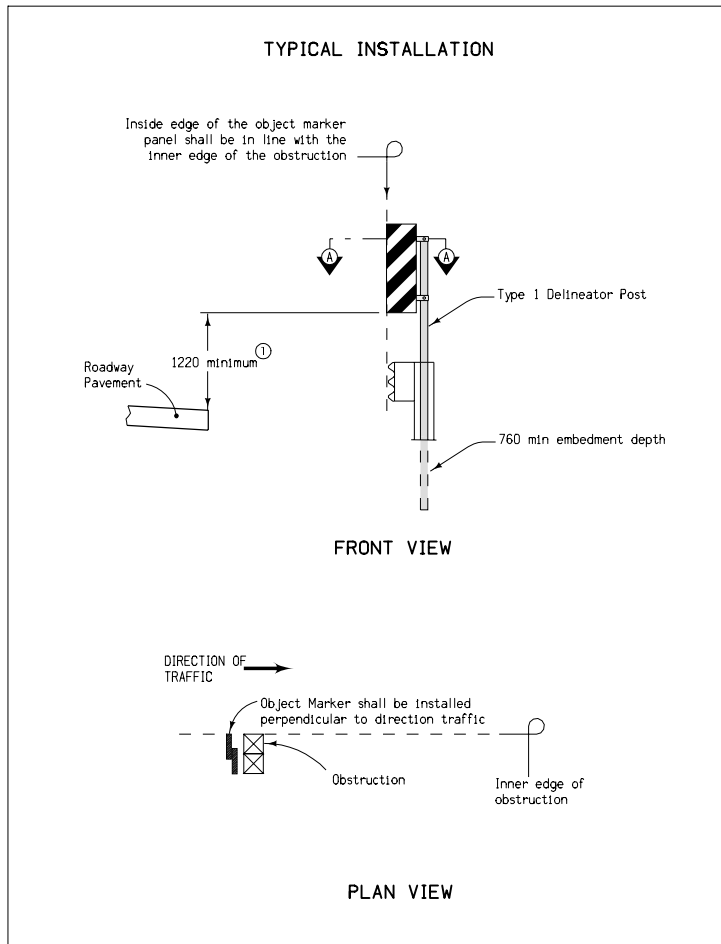


TYPE 3 OBJECT MARKER PANELS
Refer to the MUTCD for striping details.



OFFSET BRACKET

Offset bracket shall be galvanized in accordance with AASHTO M 111



SECTION A-A

Object marker shall be fabricated in accordance with the current specifications for signing materials.

List of materials for one Type 3 Object Marker:

- Object Marker Panel (OM-3L or OM-3R)
- Delineator Post (Length may vary)
- Offset Bracket as detailed hereon
- (2) 9.5 mm x 38 mm aluminum bolts
- (2) 9.5 mm x 57 mm aluminum bolts
- (4) 9.5 mm aluminum hex self-locking nuts
- (2) Neoprene washers

① When object marker panel is located more than 2.5 meters beyond the shoulder or curb, mounting height to bottom of object marker panel shall be a minimum of 1220 mm above the ground.

Contract Item:
Type 3 Object Marker

Tabulations:
108-8A, 108-8B, 108-8D, 108-17, 108-31, 108-32

All dimensions given in millimeters unless noted.

M	 Iowa Department of Transportation	REVISION
		14 04-17-07
METRIC VERSION	STANDARD ROAD PLAN	RE-47
	SHEET 1 of 1	
	REVISIONS: Refer to the MUTCD for striping details. Renamed standard.	
 APPROVED BY DESIGN METHODS ENGINEER		
TYPE 3 OBJECT MARKER		