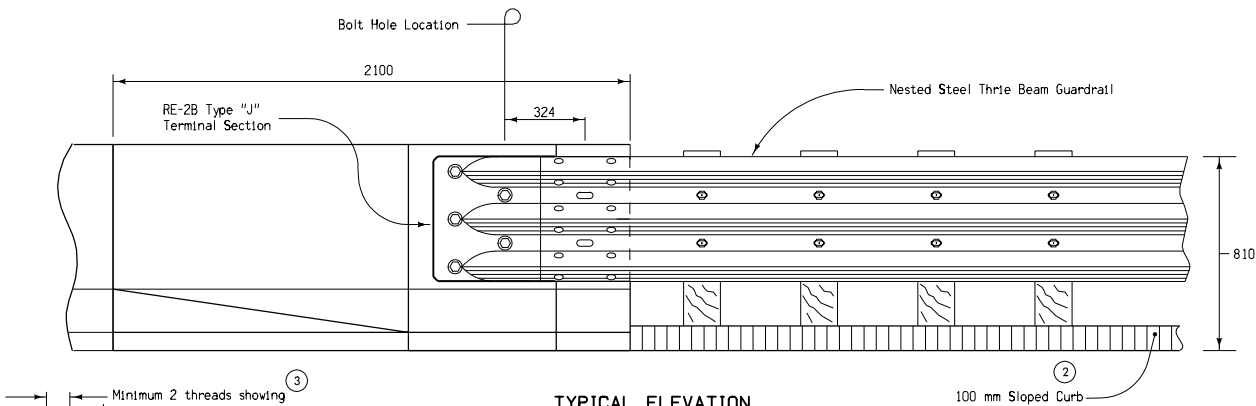
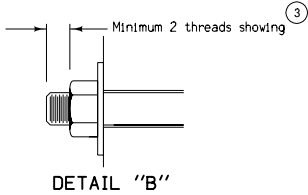


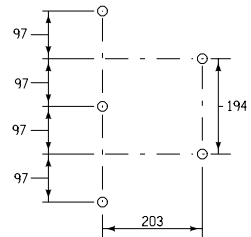
TYPICAL PLAN



TYPICAL ELEVATION

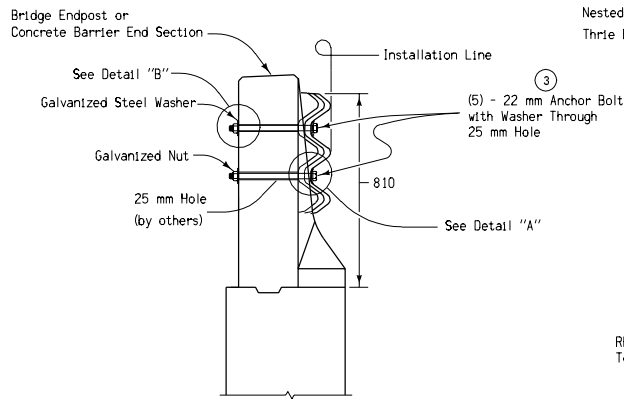


DETAIL "B"

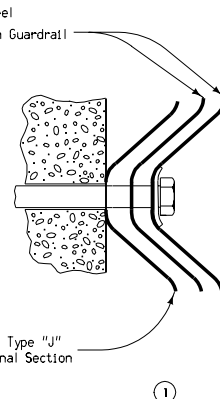


Bolt Pattern

For RE-2B Type "J" Terminal Section



SECTION A-A



DETAIL "A"

GENERAL NOTES:

Contract Item:

Guardrail, End Anchorage, Beam, RE-69

List of Materials for the RE-69A End Anchorage:

- (1) RE-2B Type "J" Terminal Section.
- (5) Approved 22 mm x sufficient length Hex Bolts.
- (5) Approved 22 mm Hex Nuts.
- (10) Approved Plain Washers, 24 mm, regular.

- ① For attachments on the trailing end of a one-way bridge, the Type "J" Terminal Connector should be lapped on the outside of the nested thrie beam rails.
- ② See applicable Bridge Approach Section standards for specific requirements.
- ③ 22 mm anchor bolts shall be of sufficient length to leave a minimum of 2 thread widths outside of the nut.

All dimensions given in millimeters unless noted.

| | | |
|-----------------------------------|---|---------------------------|
| M METRIC VERSION | Iowa Department of Transportation Highway Division | |
| | STANDARD ROAD PLAN RE-69A | |
| | REVISIONS: Remove Hardware Information Already in the Specifications Book. | REVISION NO. 5 |
| | <i>William J. Sten</i> APPROVED BY DESIGN METHODS ENGINEER | REVISION DATE 10-19-04 |
| | GUARDRAIL INSTALLATION CONNECTION TO BRIDGE ENDPST OR CONCRETE BARRIER | |

For additional information see Standard Road Plan RE-68.