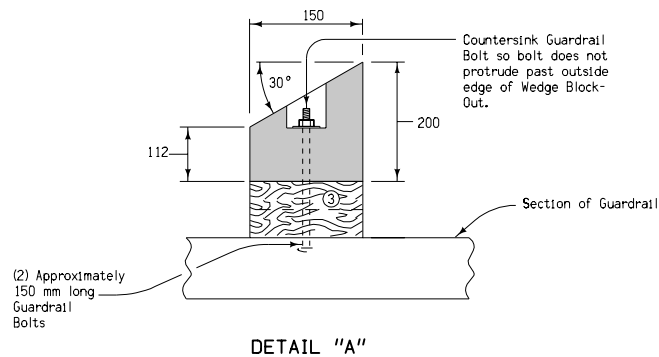
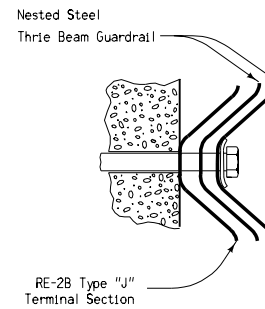


For RE-2B Type "J" Terminal Section



(2) Approximately 150 mm long Guardrail Bolts



Contract Item:

Guardrail, End Anchorage, Beam, RE-69

List of Materials for the RE-69C End Anchorage:

- (1) RE-28 Type 'J' Terminal Connector.
- (7) Approved 22 mm dia. x Sufficient length Hex Bolts.
- (7) Approved 22 mm dia. Hex Nuts.
- (14) Approved Plain Washers, 24 mm dia. regular.

- (1) First post shown on RE-68 is skipped. Only the wedge blockout is installed at this location.
- (2) First post and blockout shown on RE-68 is skipped.
- (3) Pressure preservative treated spacer boards (25 mm x 150 mm or 50 mm x 150 mm) may need to be added to produce a tighter fit between the wedge blockout and endpost. (Nominal 25 mm gap acceptable).
- (4) For attachments on the trailing end of a one-way bridge, the Type "J" Terminal Connector should be lapped on the outside of the nested beam rails.

All dimensions given in millimeters unless noted.

<b>M</b>	Iowa Department of Transportation Highway Division	
	<b>STANDARD ROAD PLAN RE-69C</b>	
	REVISION: Remove 'as provided by others' in Plan views.	REVISION NO. 3
	APPROVED BY: <i>William J. Stein</i> DESIGN METHODS ENGINEER	REVISION DATE 04-19-05
<b>METRIC VERSION</b>	<b>GUARDRAIL INSTALLATION CONNECTION TO EXISTING ENDPOSTS</b>	