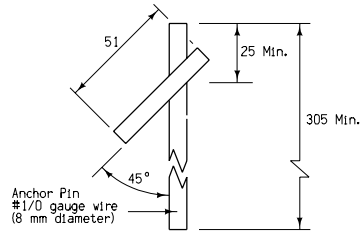


Optional Leg Shapes

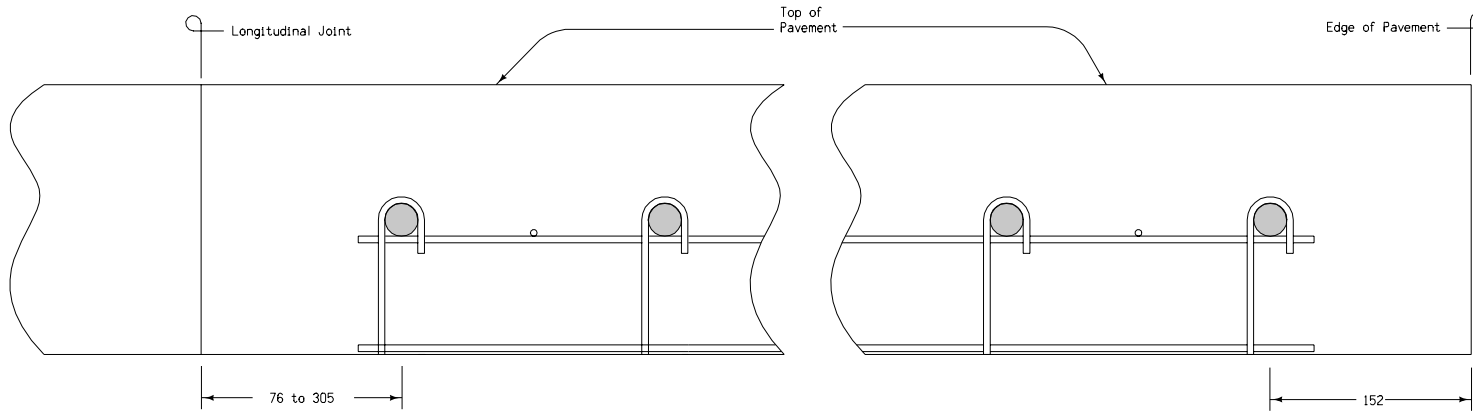


Anchor Pin Details

GENERAL NOTES:

Details indicated on this plan apply to both transverse contraction and expansion joints. For additional details, see Standard Road Plan RH-50 and RH-52.

① Diameter of bend around dowel is dowel diameter +3 mm to 5 mm.



Placement Limits

All dimensions given in millimeters unless noted.

<b>METRIC VERSION</b>		
	<b>STANDARD ROAD PLAN RH-55(2)</b>	
	REVISION: Combine with RH-56 and RH-58.	REVISION NO. NEW
	<i>Deanna Marfeld</i> APPROVED BY DESIGN METHODS ENGINEER	REVISION DATE 04-18-06
	<b>DOWEL ASSEMBLIES</b> Sheet 2 of 2	