

Riser Pipe:  
1 m Lengths of Threaded  
25 mm Schedule 80 Steel  
Pipe and Couplers,  
as Required

Casing:  
64 mm PVC Schedule  
40 Pipe and Solvent  
Welded Couplers, as  
Required

0.5 m Long 33 mm Steel Bar

Natural Ground

Base Plate  
(Level)

Steel Pipe Coupler (Typ)

PVC Coupler (Typ)  
(Solvent Welded)

Rest Casing on  
Base Plate

15 cm  
Min.

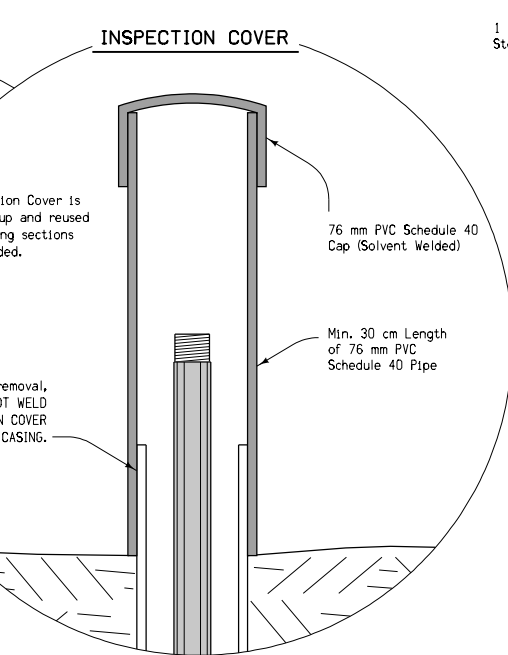
**INSPECTION COVER**

Inspection Cover is  
moved up and reused  
as casing sections  
are added.

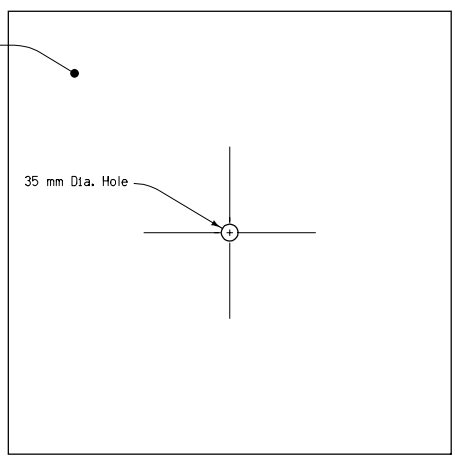
To allow for removal,  
DO NOT WELD  
INSPECTION COVER  
TO CASING.

76 mm PVC Schedule 40  
Cap (Solvent Welded)

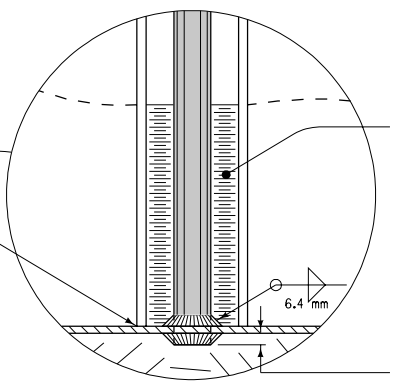
Min. 30 cm Length  
of 76 mm PVC  
Schedule 40 Pipe



1 m x 1 m x 4.76 mm  
Steel Plate



**BASE PLATE**



Center Casing around Bar  
by Filling Bottom 15 cm of  
Void Space with Oakum

Bar to Extend beyond  
Base Plate 6.4 mm Min.

Tabulation:  
103-5

All dimensions given in millimeters unless noted.

<b>M</b>	Iowa Department of Transportation	REVISION
		5   10-17-06
		<b>STANDARD ROAD PLAN</b>
		<b>RL-6</b>
<b>METRIC VERSION</b>	REVISIONS: Updated design. Remove all information concerning Embankment Control Stakes.	SHEET 1 of 1
	<i>Deanna Mayfield</i> APPROVED BY DESIGN METHODS ENGINEER	
	<b>SETTLEMENT PLATE</b>	