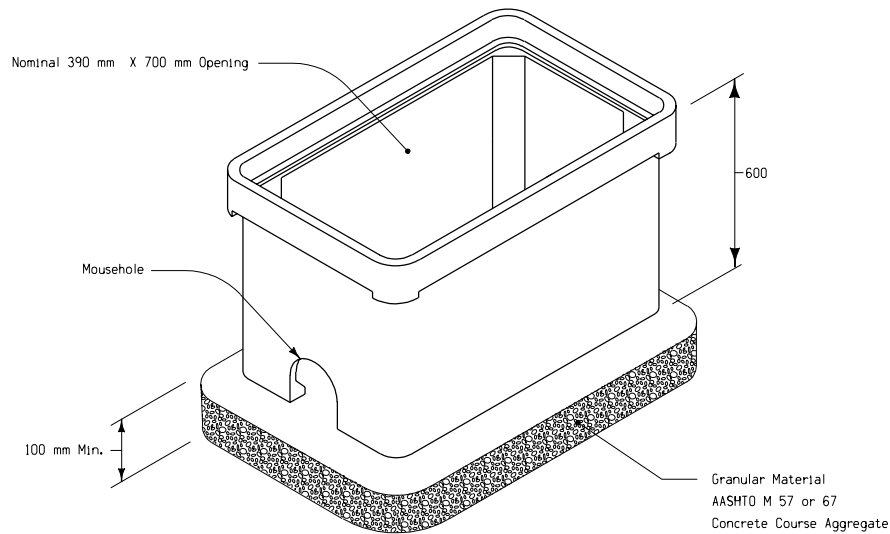


COVER



BOX

JUNCTION BOX DETAILS

GENERAL NOTES:



The details indicated hereon are for typical junction boxes used in electrical circuitry for highway lighting. Alternate designs may be submitted to the Engineer for approval.

Materials and methods of construction shall be in accordance with current Standard and Supplemental Specifications.

Refer to appropriate Standard Road Plans and project plans for additional details.

Junction box shall be installed per manufacturer's recommendations.

Covers of junction boxes installed in locations subject to pedestrian traffic shall have an approved anti-skid pattern.

METRIC VERSION	 Iowa Department of Transportation Project Development Division	
	STANDARD ROAD PLAN RM-38	
	REVISION: New	REVISION NO: New
	APPROVED BY:  DESIGN METHODS ENGINEER 12-28-98	REVISION DATE: 04-27-99
JUNCTION BOX (FIBER REINFORCED CONCRETE)		