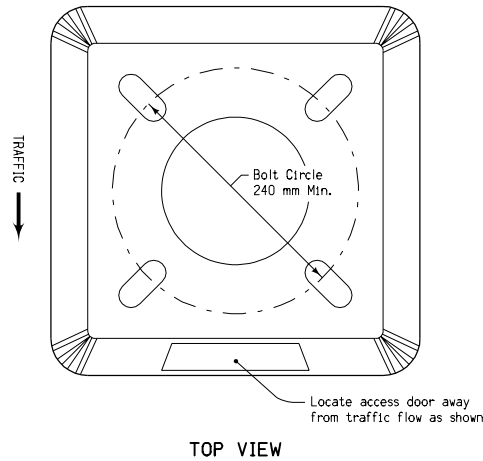
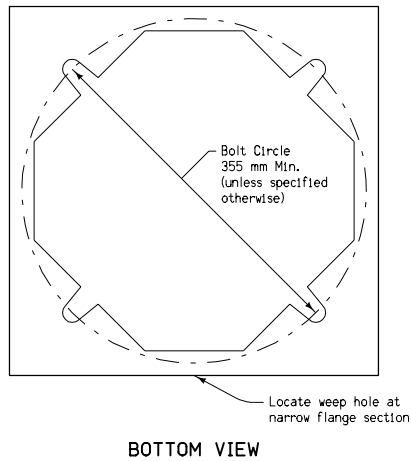
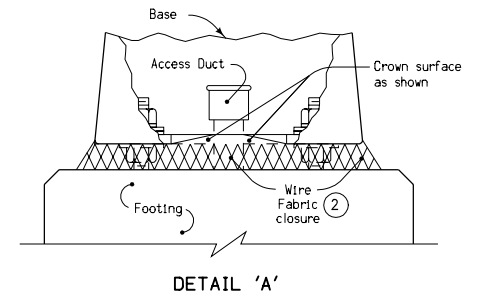


All hardware shall be stainless steel.

When the design of the base flanges requires the use of tapered, mating washers, such washers shall be of the design and material recommended by the manufacturer of the base.

- ① Use double thickness flat washers only when tapered washer is not required.
- ② Wire fabric material to comply with Materials LM. 443.01: Rodent Guard, Expanded Metal. Wire fabric shall be placed around anchor bolt circle between concrete footing and base.



All dimensions given in millimeters unless noted.

<b>M</b> <b>METRIC VERSION</b>		
	<b>STANDARD ROAD PLAN RM-43</b>	
	REVISION: Replace grout with wire fabric closure.	REVISION NO. 2
	<i>William J. Stein</i> APPROVED BY DESIGN METHODS ENGINEER	
	TRANSFORMER BASE (CAST ALUMINUM)	
		REVISION DATE 10-18-05