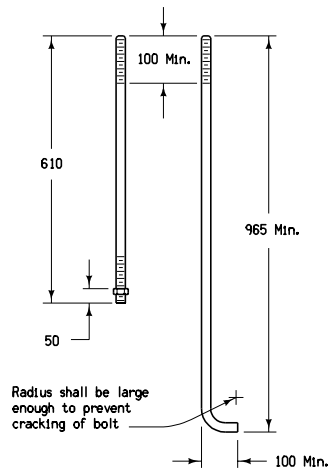
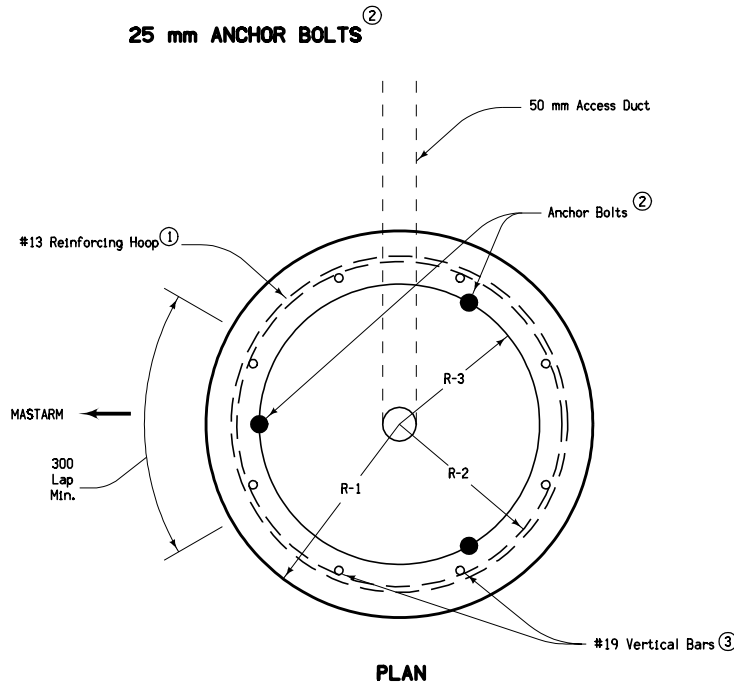


TYPICAL SECTION



25 mm ANCHOR BOLTS



PLAN

Diameter of footing is determined by the Anchor Bolt Circle required for the pole being installed. Where dimensional requirements indicated cannot be met with normal footings, it shall be enlarged as necessary to accommodate the required diameter at the Contractor's expense.

Provide minimum 50 mm clear for all reinforcement.

R-1 = Radius of the outside of the footing shall be 340 mm minimum unless anchor bolt circle requires a larger radius.
 R-2 = Radius of the reinforcing hoop shall be a maximum of 50 mm less than R-1 and minimum of 25 mm greater than R-3.
 R-3 = Radius of the anchor bolt circle.

- ① #13 bars lapped a minimum of 300 mm. Hoops may be welded to vertical bars.
- ② Three anchor bolts required per footing. Either anchor bolt type may be used.
- ③ Use #22 bars when mounting height is greater than 13 meters.

All dimensions given in millimeters unless noted.

M		REVISION	5	10-16-07	
		STANDARD ROAD PLAN		RM-47	
		REVISIONS: Deleted repetitive information. Removed notes 4 and 5 and added to drawing.			
		 APPROVED BY DESIGN METHODS ENGINEER			
METRIC VERSION	FOOTING FOR SLIP-BASE LIGHT POLES				