

Bill of Reinforcing for One Headwall 45° Skew Span x Culvert Height

Main table containing bar quantities for various locations (e.g., Wingwall, Apron, Parapet) and shapes (e.g., 16' x 14', 16' x 13', 16' x 12'). Includes sub-totals for Reinforcing Steel and Concrete.

Δ Includes top of wingwall quantities.
* Assumes apron and floor are equal thickness, adjust concrete quantities for transition where apron and floor thickness are not equal.

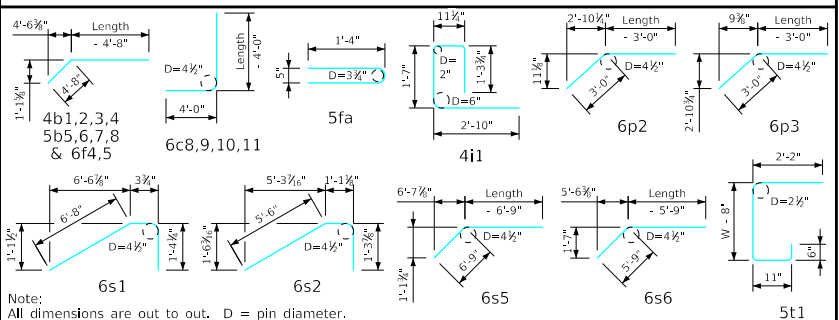
Note: Weight of bars over 40'-0" long include an allowance of 2'-5" for lap. Lengths shown for bars over 40'-0" long do not include lap.

"Short" Denotes Short Wingwall
"Long" Denotes Long Wingwall

Headwall Notes:

- 1. See Sheet FWH G2-21 for General Notes, Specifications, and Design Stresses.
2. This headwall is based on a 3:1 slope normal to centerline of roadway.
3. The sides of the apron are to be formed to ensure correct line and grade.
4. All apron reinforcing steel is to be supported by bar chairs at intervals of not more than 3'-0" in either direction as outlined in the Standard Specifications.
5. Clear distance from face of concrete to near reinforcing bar is to be 2" unless otherwise noted or shown. Clearance to the bottom ends of vertical bars shall be 3 inches.
6. Concrete quantities are estimated from back of parapet.
7. Horizontal tails of bars "b" and "s" estimated to extend 2'-5" beyond back of parapet into end of barrel. Longitudinal bars "g", "6f1", "6f4" and "6f5" estimated to project into end section of barrel a minimum of 2'-5" beyond back of parapet. The "length" column reflects total number of feet necessary to meet these requirements.
8. Dimensions are in feet and inches unless otherwise noted.

Bent Bar Details



Approval stamp for IOWA DOT Highway Division, Standard Design - Single Reinforced Concrete Box Culverts, Flared Wing Headwalls, February, 2021. Includes Quantity Tabulation for 16'-0" Span 45° Skew (Sheet 1 of 2).