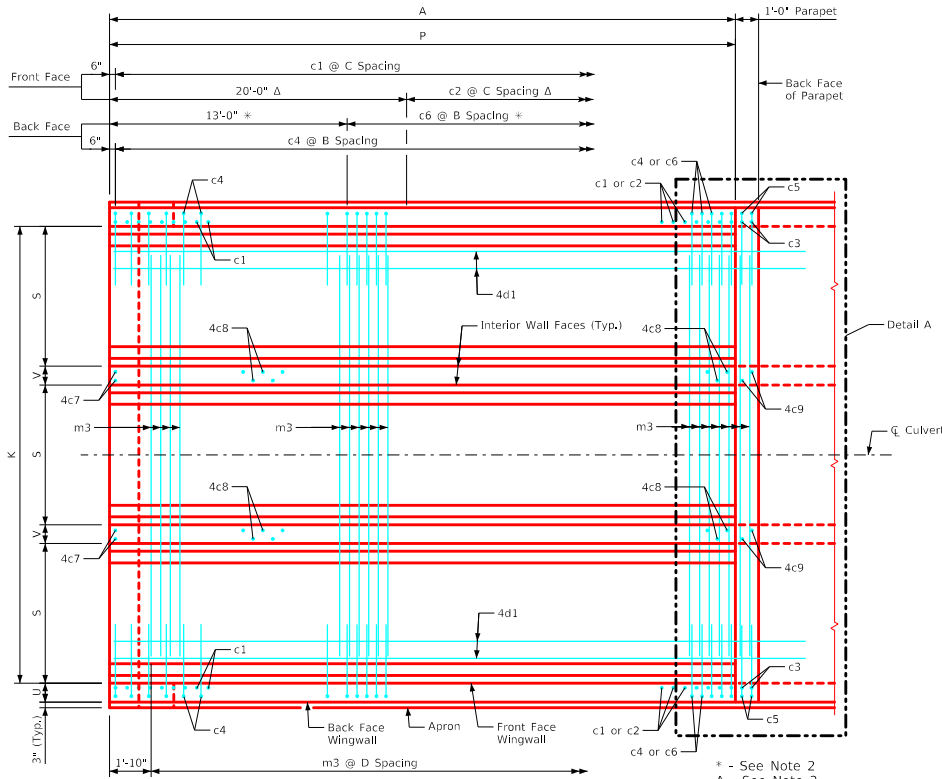
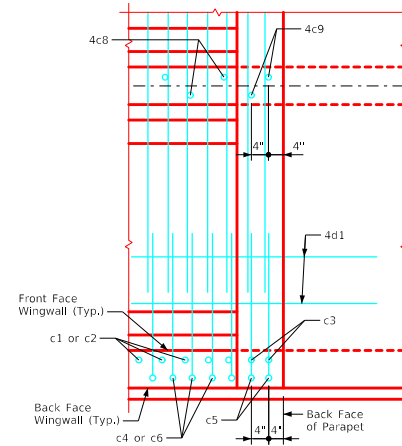
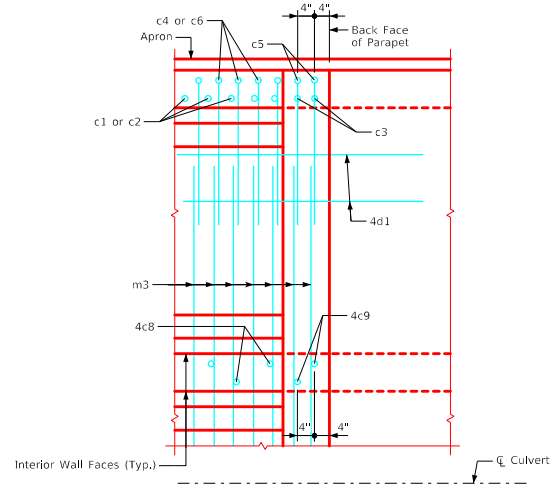


ENGLISHLRFDDESIGNEDTRIPLECULVERTS.DGN - TRPWH 0-4-20 - THIS SHEET ISSUED 07-2020.



Plan View - Bottom Apron Reinforcing
(Curtain Wall Reinforcing not shown, See Sheet TRPWH 0-2-20)



Detail A

Notes:

1. Bar spacings and positions shown are similar for all sizes of headwalls in this standard.
2. Not applicable for 4' & 5' height headwalls.
3. Not applicable for 4' thru 8' height headwalls.
4. For headwall dimensions and bar spacing see Sheet TRPWH 0-1-20.
5. Apron m3 bars are to be centered on \bar{C} culvert.
6. B.F.V. (c5), F.F.V. (c3) and interior wall both F.V. (c9) bars are approximately 4" from the back of parapet for all headwalls.

LATEST REVISION DATE APPROVED BY BRIDGE ENGINEER		Standard Design Triple Reinforced Concrete Box Culverts July, 2020
	Bottom Apron Reinforcing 0° Skew	TRPWH 0-4-20
	* - See Note 2 Δ - See Note 3	