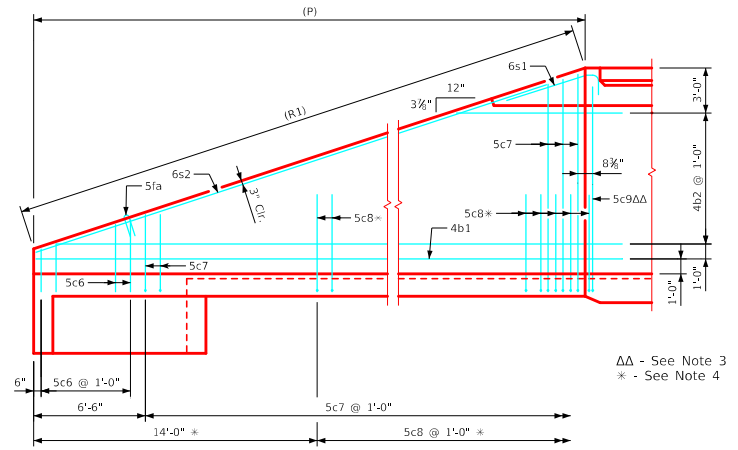
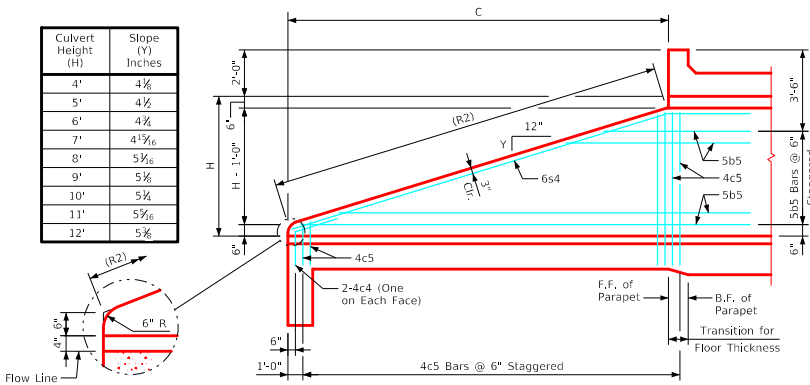


Typical View - Front Face Wingwall Reinforcing

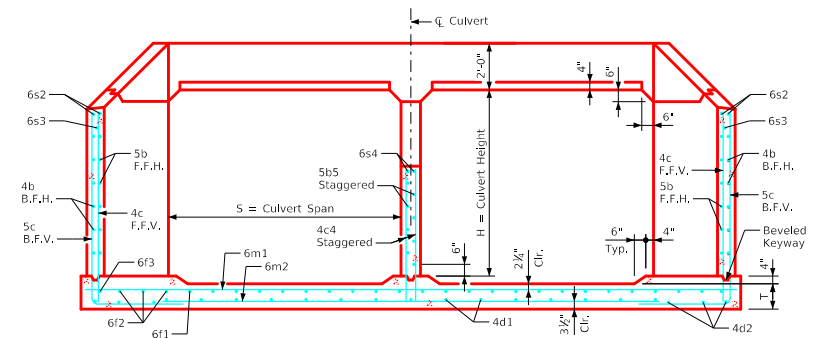


Typical View - Back Face Wingwall Reinforcing

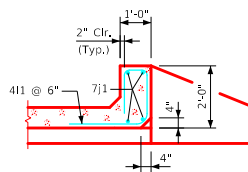
Culvert Height (H)	Slope (V) Inches
4'	4 1/2"
5'	4 1/2"
6'	4 1/2"
7'	4 1/2"
8'	5 1/2"
9'	5 1/2"
10'	5 1/2"
11'	5 1/2"
12'	5 1/2"



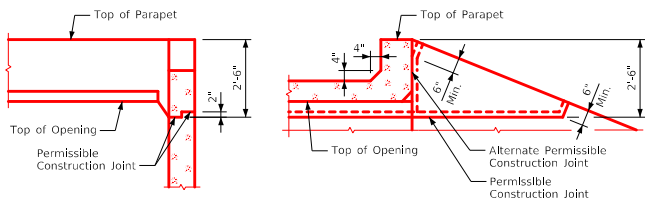
Typical View - Interior Wall



Typical Section - Near Center of Apron



Section thru Parapet



Top of Wingwall Details

Notes:

1. Bar spacings and positions shown are similar for all sizes of headwalls in this standard.
2. Two 4c3 bars for 4', 5', 11' & 12' height headwalls. One 4c3 bar for 6' thru 10' height headwalls.
3. Two 5c9 bars for 4', 5', 11' & 12' headwalls. One 5c9 bar for 6' thru 10' height headwalls.
4. Not applicable for 4' & 5' height headwalls.
5. Not applicable for 4' thru 8' height headwalls.
6. For dimension table, see sheet TWFH 0-1-21.
7. Top of wall slope may be rounded in some instances.

LATEST REVISION DATE	APPROVED BY BRIDGE ENGINEER		
		Standard Design - Twin Reinforced Concrete Box Culverts	
		Flared Wing Headwalls February, 2021	
		Wingwall & Parapet Details 0° Skew	TWFH 0-3-21