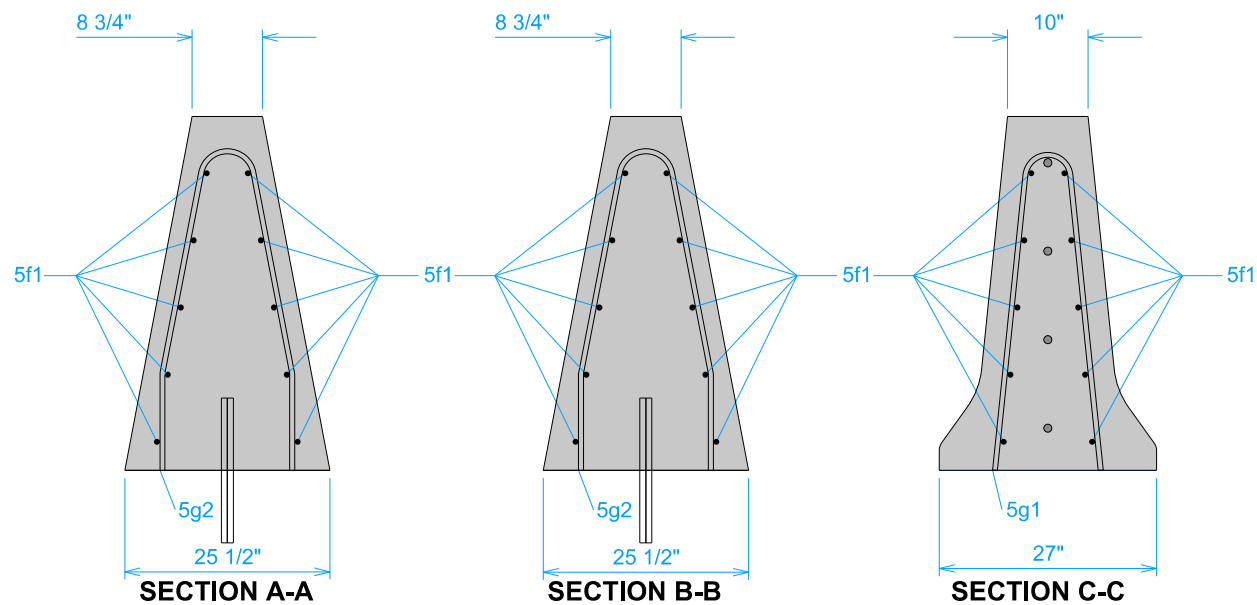


REINFORCING BAR LIST					
BAR	LOCATION	SHAPE	NO.	LENGTH	WEIGHT
5g1	VERTICAL		5	7'-5"	39
5g2	VERTICAL		4	6'-9"	28
5f1	HORIZONTAL		10	10'-9" *	112
TOTAL WEIGHT (LBS.)					179

* Minimum length

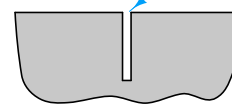
Use Grade 60 epoxy - coated reinforcing bars. Provide 2 inches minimum cover. Anchor all reinforcement to prevent movement. Secure each section at the front, back, and at 3'-6" intervals using a method approved by the Engineer.

- Expansion joints are necessary only where specifically required by project plans. Conform expansion material to the shape of the barrier. No sealer is required.
- Where abutting sections are placed as separate pours, a butt joint may be used. Extend longitudinal reinforcement into the abutting section a minimum of 3 feet.
- Fillet all exposed corners with a 3/4 inch dressed and beveled strip.
- Use 1 inch diameter deformed dowel bars of sufficient length to ensure 6 inch minimum embedment in barrier and supporting surface. Install dowels either in supporting surface when placed, or in drilled holes using polymer grout complying with Materials I.M. 491.11 or hydraulic cement grout complying with Materials I.M. 491.13.



CONCRETE QUANTITIES
Per End Section
1.52 cy

1/8" min. wide x 1" deep saw cut. No sealing required.



SAWED CONTRACTION JOINT

Saw cut top and front face.
Saw cut back if exposed.

Possible Contract Item:
Concrete Barrier, BA-111

Possible Tabulation:
108-18B

	REVISION	
	NEW	4-18-23
STANDARD ROAD PLAN		BA-111
REVISIONS: New		SHEET 1 of 1
<i>Steve Miller</i> APPROVED BY DESIGN METHODS ENGINEER		
CONCRETE BARRIER 44" SINGLE SLOPE TO 44" F-SHAPE (FULL SECTION)		