

Construct loop exit pavement the same thickness as mainline pavement.

Loop exit pavement shown by shaded area is 1332 square yards.

For joint details, see PV-101

- For header construction details at the beginning of taper, see Typical 7101 or Typical 7102.
- Construct subbase for loop exit pavement the same thickness as mainline subbase.

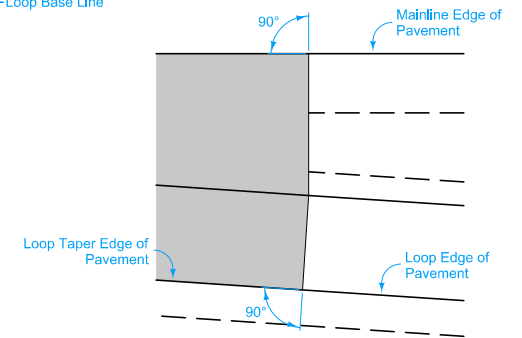


TABLE OF OFFSETS AND DROPS FOR 18' LOOP TAPER

		DISTANCE FROM POINT (C) ALONG LINE 'A' (FL)																											
		600	575	550	525	500	475	450	425	400	375	350	325	300	275	250	225	200	175	150	125	100	75	50	25	0			
From Line 'A' To Line 'B'	OFFSET (FL)																												
	SLOPE (%)																												
	DROP (FL)																												
From Line 'B' To Line 'C'	OFFSET (FL)																												
	SLOPE (%)																												
	DROP (FL)																												
From Line 'A' To Line 'C'	OFFSET (FL)	0	1.67	3.33	5.00	6.67	8.33	10.00	11.67	13.33	15.00	16.67	18.33	2.00	3.67	5.33	7.00	8.67	10.33	12.00	13.67	15.33	17.00	18.67	20.33	22.00			
	SLOPE (%)		Constant 3.0% Slope																										
	DROP (FL)	0	0.05	0.10	0.15	0.20	0.25	0.30	0.35	0.40	0.45	0.50	0.56	0.60	0.65	0.70	0.75	0.80	0.85	0.90	0.95	1.00	1.05	1.10	1.15	1.20			

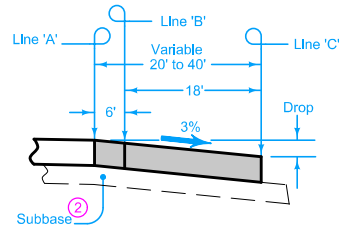
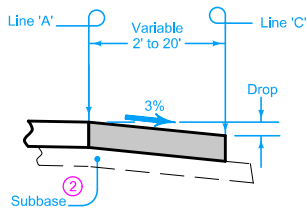


TABLE OF SHOULDER TRANSITION LENGTHS

(W)	Shoulder Width beyond Edge of Mainline Pavement		
	8'	10'	12'
12'	NA	60'	90'

NOTE: W<sub>s</sub> is the width of the outside lane to the Edge of Pavement.

**IOWA DOT**

**STANDARD ROAD PLAN**

REVISIONS: Removed INTERIM from the standard.

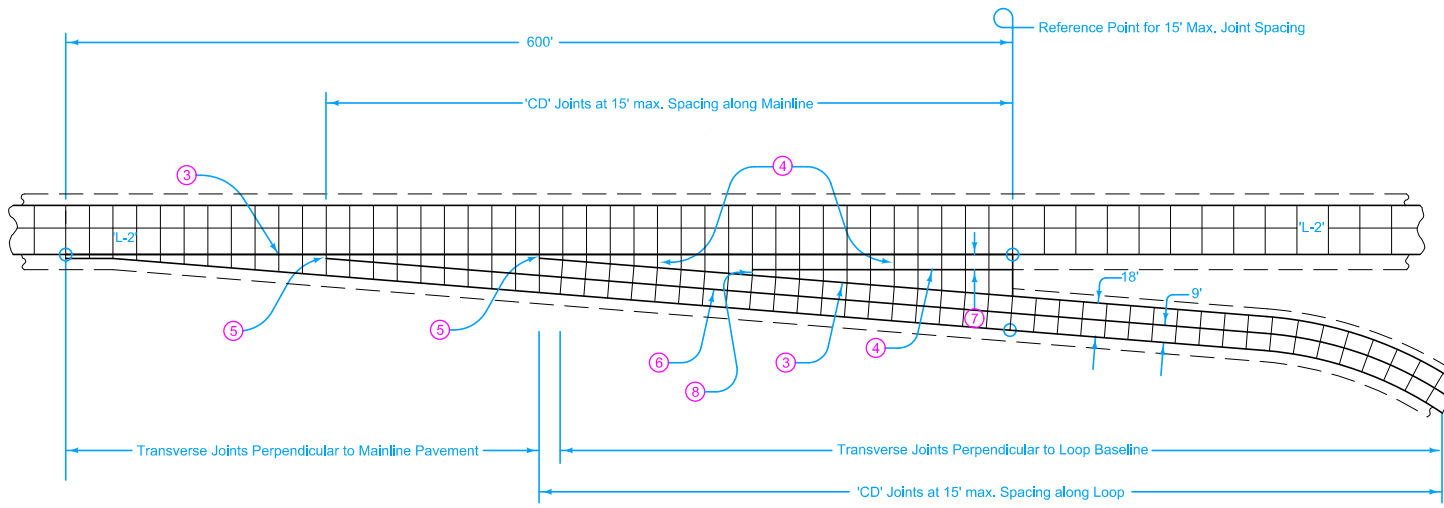
REVISION 6 04-21-20

**PV-412**

SHEET 1 of 2

APPROVED BY DESIGN METHODS ENGINEER

**DECELERATION TAPER FOR 18' EXIT LOOP**



- ③ 'BT-2' or 'KT-2' Joint.
- ④ 'C' Joint.
- ⑤ 'B' Joint. 2' minimum, 4' maximum.
- ⑥ 'L-2' Joint.
- ⑦ 10' minimum or equal to mainline shoulder width.
- ⑧ 'B' or 'C' Joint. 2' minimum. 4' maximum.

18' EXIT LOOP

<b>IOWA DOT</b>	REVISION	
	6	04-21-20
<b>STANDARD ROAD PLAN</b>		<b>PV-412</b>
		SHEET 2 of 2
REVISIONS: Removed INTERIM from the standard.		
<i>Handwritten Signature</i>		
APPROVED BY DESIGN METHODS ENGINEER		
<b>DECCELERATION TAPER FOR 18' EXIT LOOP</b>		