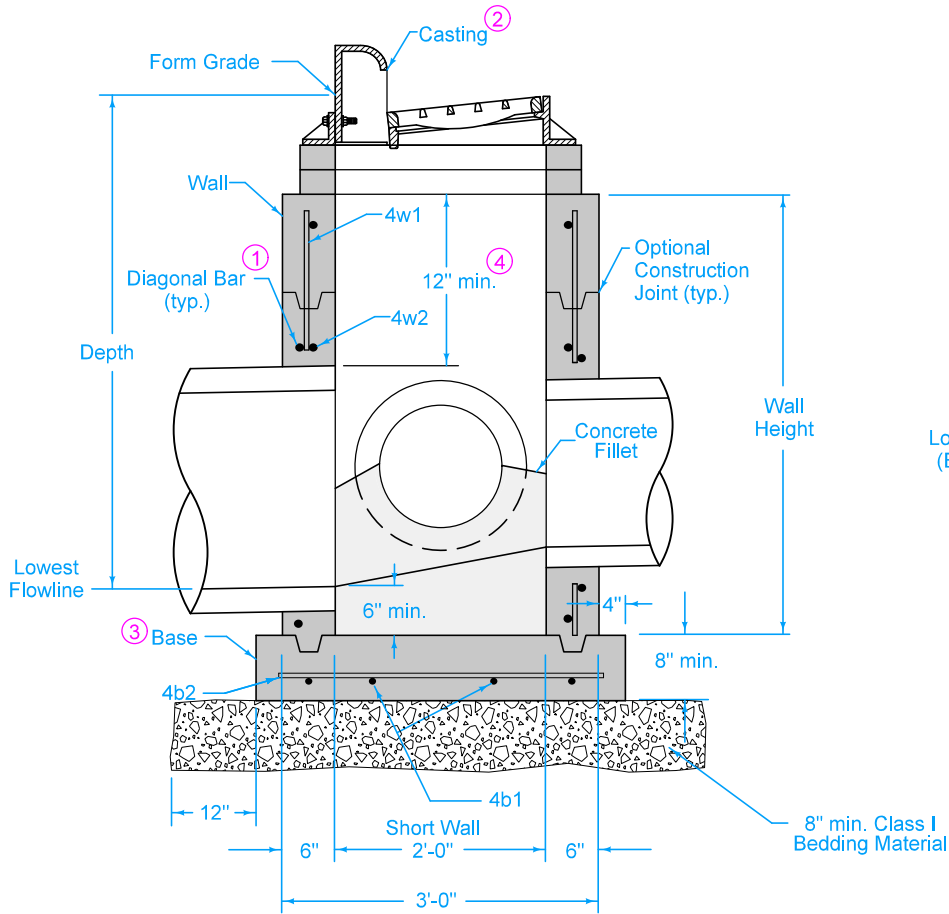
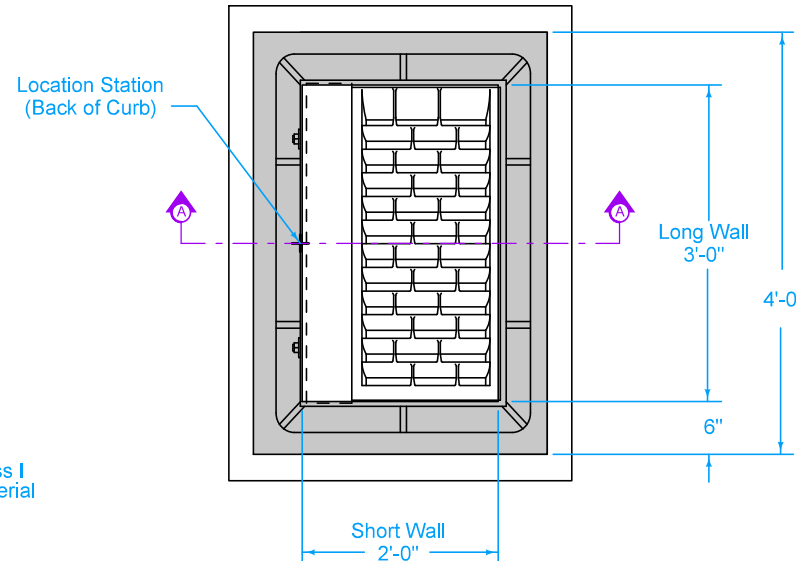


Refer to SW-514 for boxout details.



SECTION A-A



PLAN

- ① Install four #4 diagonal bars at all pipe openings.
- ② SW-603 Type R unless Type Q is specified in the contract documents.
- ③ Cast-in-place base shown. If base is precast integral with walls, the footprint of the base is not required to extend beyond the outer edge of the walls.
- ④ 12 inch minimum wall height above all pipes.

REINFORCING BAR LIST						
Mark	Size	Location	Shape	Length	Count	Spacing
4w1	4	Walls	—	Wall Height minus 4"	14	12"
4w2	4	Long Walls	—	3'-8"	Varies	12"
4w3	4	Short Walls	—	2'-8"	Varies	12"
4b1	4	Base	—	4'-2"	4	10"
4b2	4	Base	—	3'-2"	5	10"

MAXIMUM PIPE DIAMETERS		
Pipe Location	Precast Structure	Cast-in-place Structure
Short Wall	15"	18"
Long Wall	24"	30"

SUDAS	IOWADOT	REVISION
		3   04-21-20
FIGURE 6010.501	STANDARD ROAD PLAN	<b>SW-501</b>
		SHEET 1 of 1
REVISIONS: Added Class 1 Bedding Material.		
Paul D. Weigand SUDAS DIRECTOR		Steve Miller DESIGN METHODS ENGINEER
<b>SINGLE GRATE INTAKE</b>		

FIGURE 6010.501 SHEET 1 OF 1