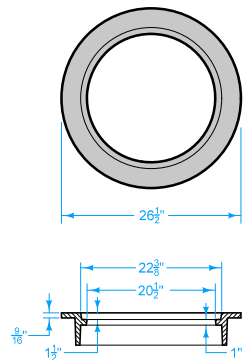
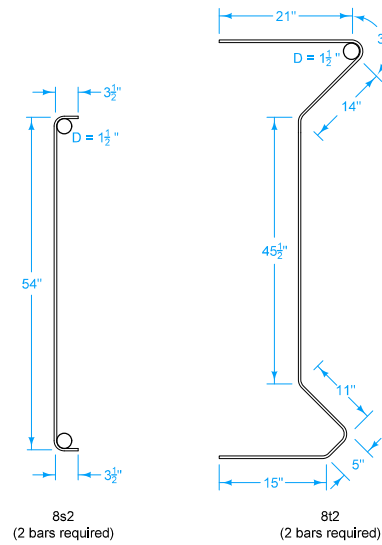
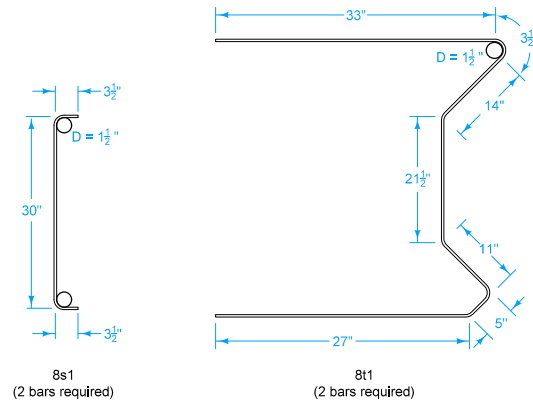


Minimum Weight = 86 lbs.



Minimum Weight = 81 lbs.

BENT BAR DETAILS



NOTE: ALL DIMENSIONS SHOWN OUT TO OUT.
 D = PIN DIAMETER

Top of intake may be poured in the field or precast. For precast units, place a 1 inch diameter X 3 inch deep alignment hole 3 inches from each side of the corners of the unit.

- ① Four #6 X 9 inch alignment pins (precast tops only).
- ② Meet the requirements of Article 4151.04 of the Standard Specifications.

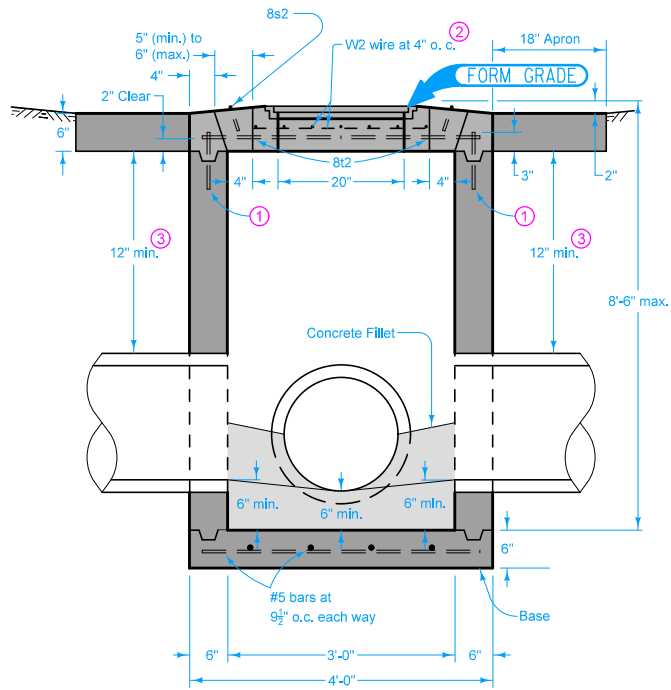
IOWA DOT	REVISION
	New 04-17-18
	STANDARD ROAD PLAN
SW-563	
SHEET 1 of 2	

REVISIONS: New.
 APPROVED BY DESIGN METHODS ENGINEER
Brian Smith

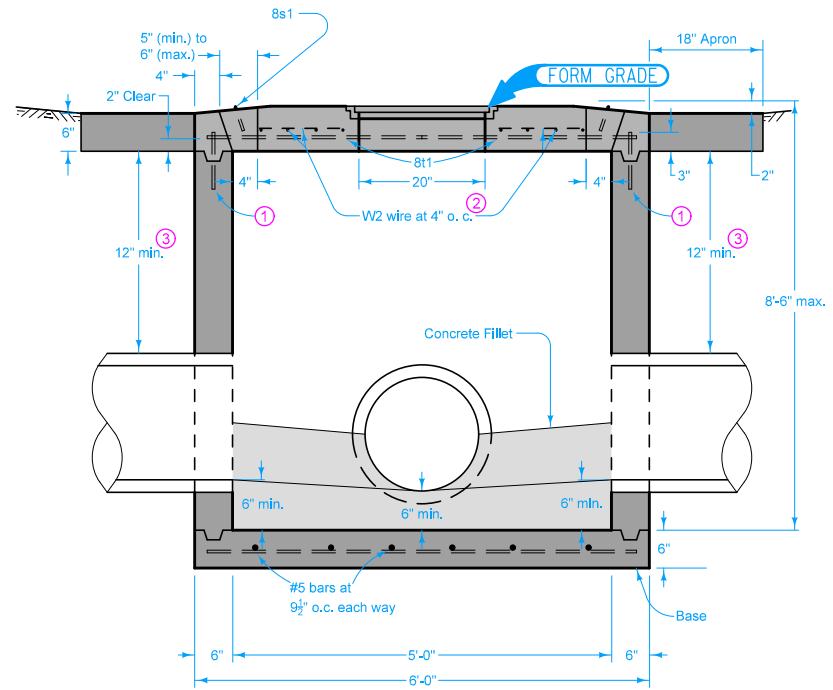
**VERTICAL THROAT AREA INTAKE
 (LARGE BOX)**

Short wall maximum pipe size 18 inches. Long wall maximum pipe size 36 inches.

- ① Four #6 X 9 inch alignment pins (precast tops only).
- ② Meet the requirements of Article 4151.04 of the Standard Specifications.
- ③ 12 inch minimum wall height above all pipes.



SECTION A-A
(Short Wall)



SECTION B-B
(Long Wall)

IOWA DOT	REVISION
	New 04-17-18
STANDARD ROAD PLAN	SW-563
REVISIONS: New.	SHEET 2 of 2
<i>Brian Smith</i>	
APPROVED BY DESIGN METHODS ENGINEER	
VERTICAL THROAT AREA INTAKE (LARGE BOX)	