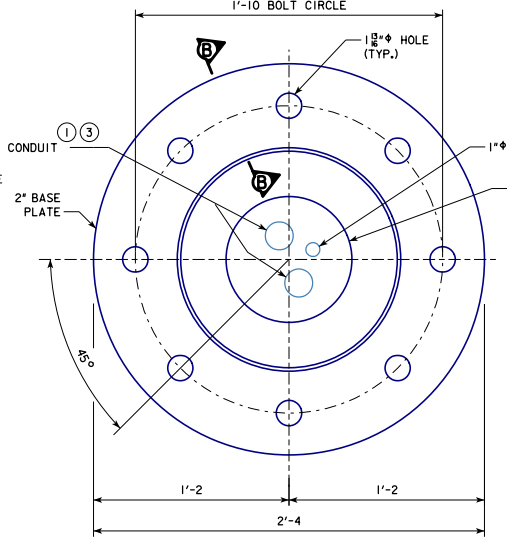
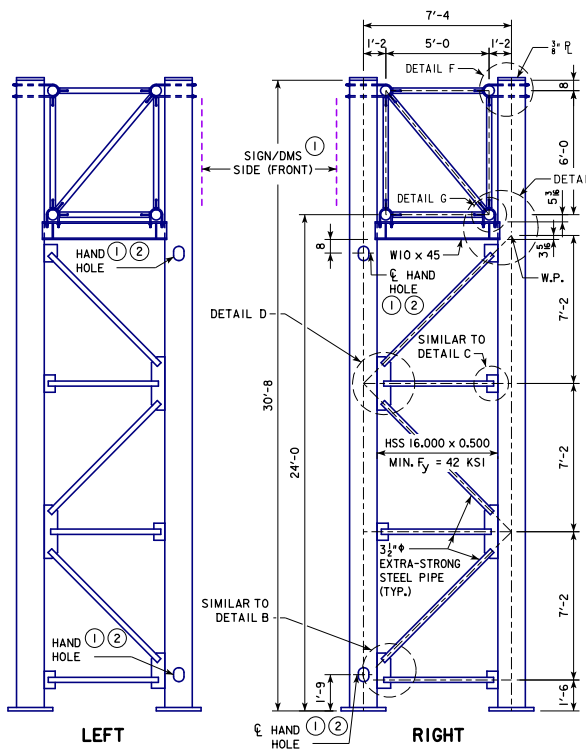
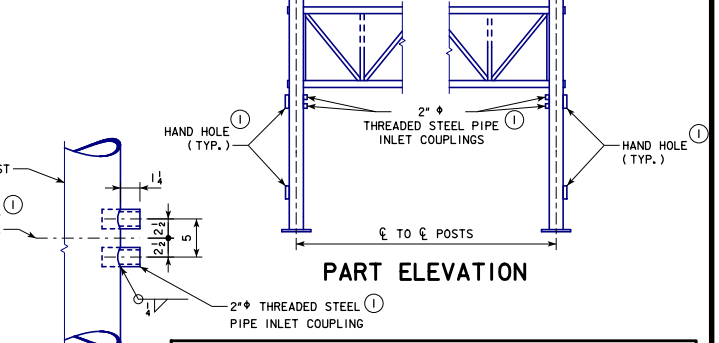


REVISED 03-2019: INCREASED DIAMETER OF GALVANIZING VENT HOLE IN BASE PLATE FROM 3/8" TO 1" TO IMPROVE CONSTRUCTIBILITY. ADDED NOTE TO CLARIFY THAT HEX NUT WELDED TO HAND HOLE FRAME IS FOR LOWER HAND HOLE ONLY. REPLACED NOTE IDENTIFIER ASTRIKES AND TRIANGLES WITH ENCIRCLED NUMBERS TO IMPROVE READABILITY. UPDATED BRIDGE ENGINEER SIGNATURE. PREVIOUS 04-2020: CHANGED GALVANIZING VENT HOLE TO GALVANIZING HOLE IN SECTION B-B TO REFLECT HOLE USE AS A GALVANIZING VENT HOLE AND/OR A GALVANIZING DRAIN HOLE. REVISED CONCORD TO AISC NOMENCLATURE. CONCORD TO AWS NOMENCLATURE. STEELOVERHEADSIGNTRUSS.DGN - SOST-06-11 - THIS SHEET ISSUED 09-2011.



**BASE PLATE PLAN**

③ CONDUIT IS PRESENT ONLY IN POSTS WITH HAND HOLES.

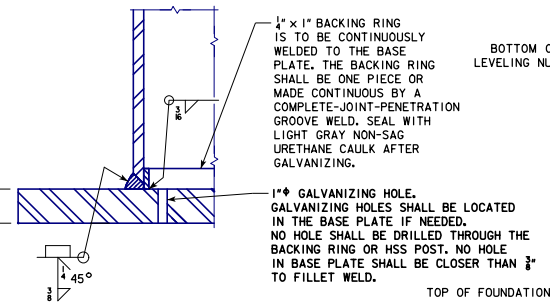


**PART ELEVATION**

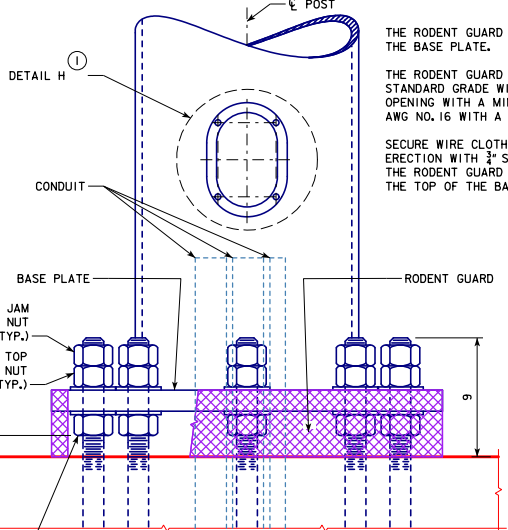
**ELECTRICAL INLET**

**① FOR DMS TRUSSES ONLY**  
 HAND HOLES, CONDUIT, AND PIPE INLET COUPLINGS ARE TO BE INCLUDED ON DMS TRUSS DESIGNS ONLY. SEE STANDARD SHEET SOST-18-11 FOR FOUNDATION CONDUIT LOCATION DETAILS.  
 HAND HOLES AND ELECTRICAL INLET HOLES SHALL BE LOCATED IN BOTH TRUSS SUPPORTS UNLESS OTHERWISE INDICATED ON DETAIL PROJECT PLANS. LOCATE HOLES ONLY IN POSTS THAT ARE CLOSEST TO DYNAMIC MESSAGE SIGN.  
 THREADED STEEL PIPE INLET COUPLINGS ARE TO BE PLACED OPPOSITE TO UPPER HAND HOLE ON POST. COUPLINGS SHALL BE FITTED WITH STANDARD PLUGS UNTIL CONDUIT IS INSTALLED.  
 ALL CONDUIT SHALL BE SCHEDULE 40 PLASTIC.

**② HAND HOLES SHALL BE LOCATED ONLY IN POSTS THAT ARE CLOSEST TO DYNAMIC MESSAGE SIGN AND BE POSITIONED ON SIDE OPPOSITE TRAFFIC.**



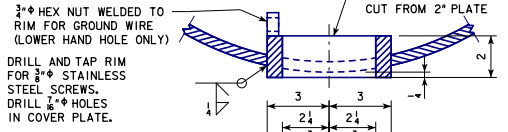
**SECTION B-B**



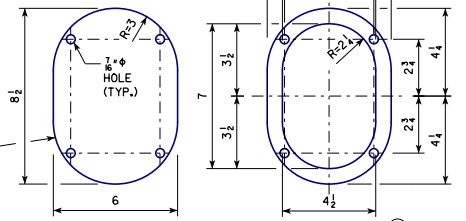
**BASE SIDE VIEW**

OPPOSITE OF TRAFFIC SIDE

THE RODENT GUARD SHALL BE PLACED AROUND THE BASE PLATE.  
 THE RODENT GUARD IS STAINLESS STEEL STANDARD GRADE WIRE CLOTH, 1/4" MAXIMUM OPENING WITH A MINIMUM WIRE DIAMETER OF AWG NO. 16 WITH A MINIMUM 2" LAP.  
 SECURE WIRE CLOTH TO BASE PLATE AFTER ERECTION WITH 3/8" STAINLESS STEEL BANDING. THE RODENT GUARD SHALL NOT EXTEND ABOVE THE TOP OF THE BASE PLATE.





**DETAIL H**



6" x 6" x 0.8" GALVANIZED STEEL COVER PLATE WITH 3/4" x 6" x 0.8" NEOPRENE GASKET TO MATCH PLATE

SEE STANDARD SHEET SOST-08-11 FOR DETAILS B, C, D AND E.  
 SEE STANDARD SHEET SOST-09-11 FOR DETAILS F AND G.

LATEST REVISION DATE 04-2020  APPROVED BY BRIDGE ENGINEER	 STANDARD DESIGN	
	<b>STEEL OVERHEAD SIGN TRUSS</b>	
	SEPTEMBER, 2011	
	<b>SUPPORT POST BASE AND DMS ELECTRICAL ACCESS DETAILS</b> 105'-130' SPANS	<b>SOST-07-11</b>