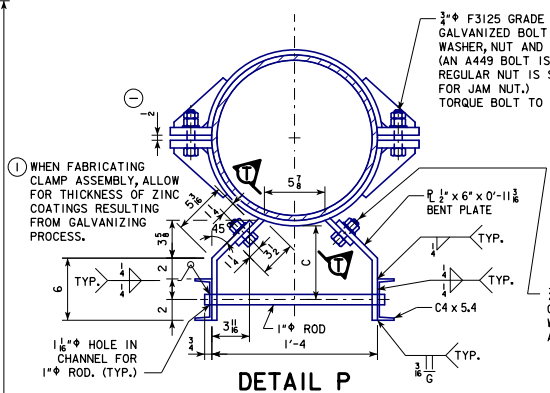
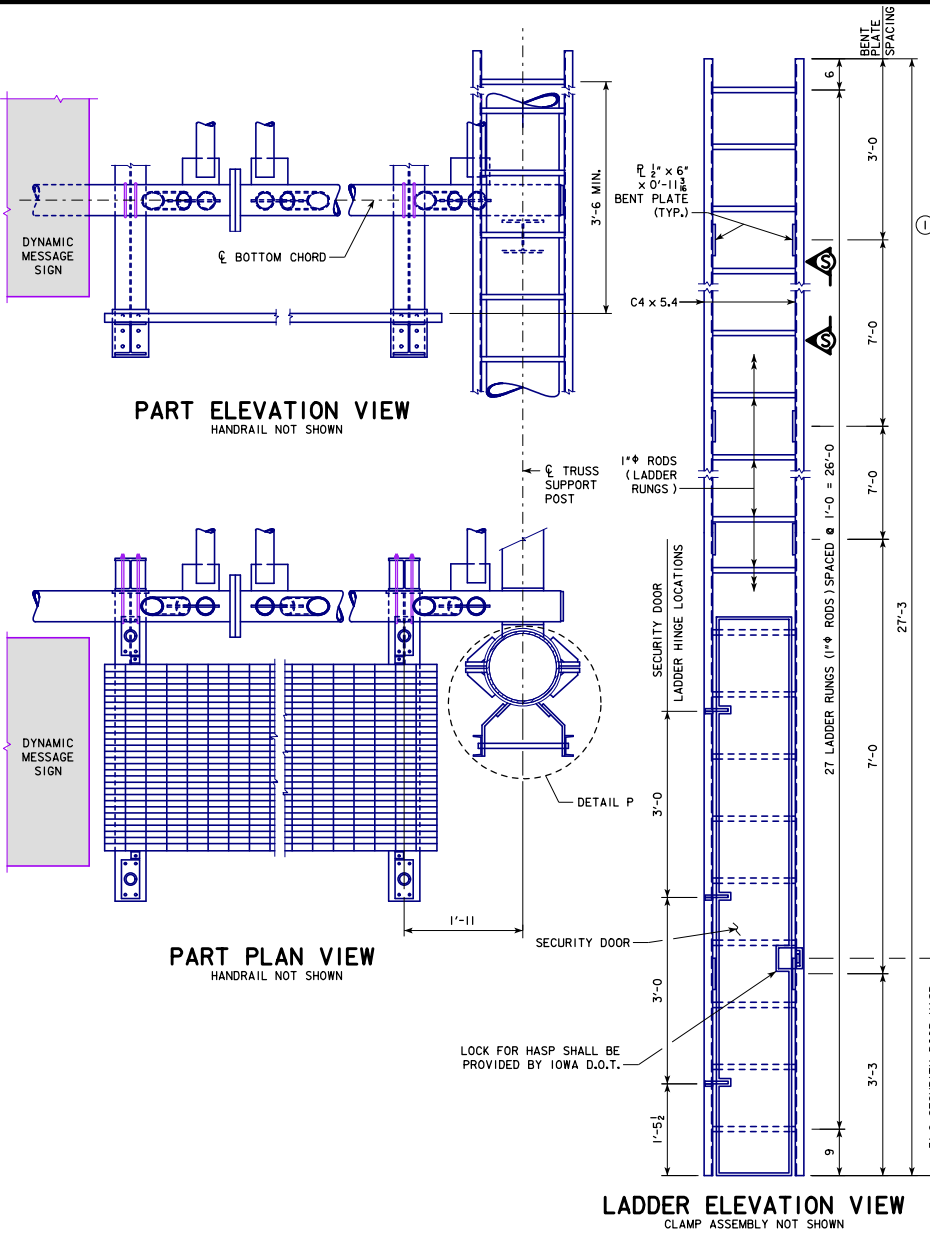
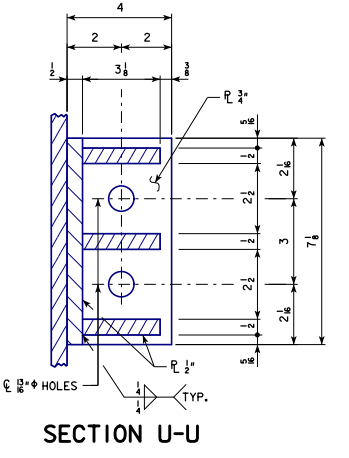
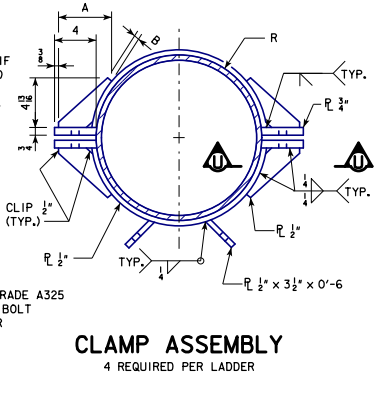
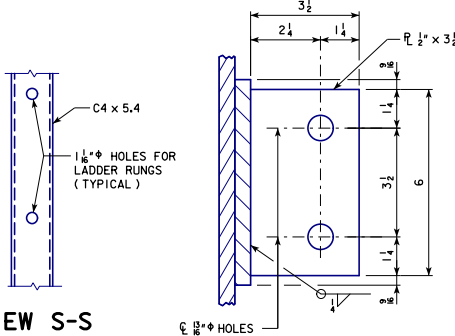


*REVISED 07-2017, MODIFIED NOTE.
 *REVISED 03-2019, MODIFIED DETAIL P FASTENER NOTES TO ADDRESS CHANGE IN ASTM SPECIFICATIONS. REPLACED NOTE IDENTIFIER ASTRISK WITH ENCIRCLED NUMBER TO IMPROVE READABILITY.
 *UPDATED BRIDGE ENGINEER SIGNATURE, -15-11 - THIS SHEET ISSUED 03-2013.
 *STEEL OVERHEAD SIGN TRUSS.DGN - SOST-15-11



DIMENSION TABLE

SPAN	TRUSS SUPPORT POST	R	A	B	C
50' - 100'	HSS 14.000 x 0.500	7	5 5/8	3	7 1/2
105' - 130'	HSS 16.000 x 0.500	8	5 1/2	1/2	7 1/2



SEE STANDARD SHEET SOST-16-11 FOR SECURITY DOOR DETAILS.

LATEST REVISION DATE 03-2019 APPROVED BY BRIDGE ENGINEER 	 STANDARD DESIGN STEEL OVERHEAD SIGN TRUSS SEPTEMBER, 2011	
	DMS LADDER DETAILS 50'-130' SPANS	SOST-15-11