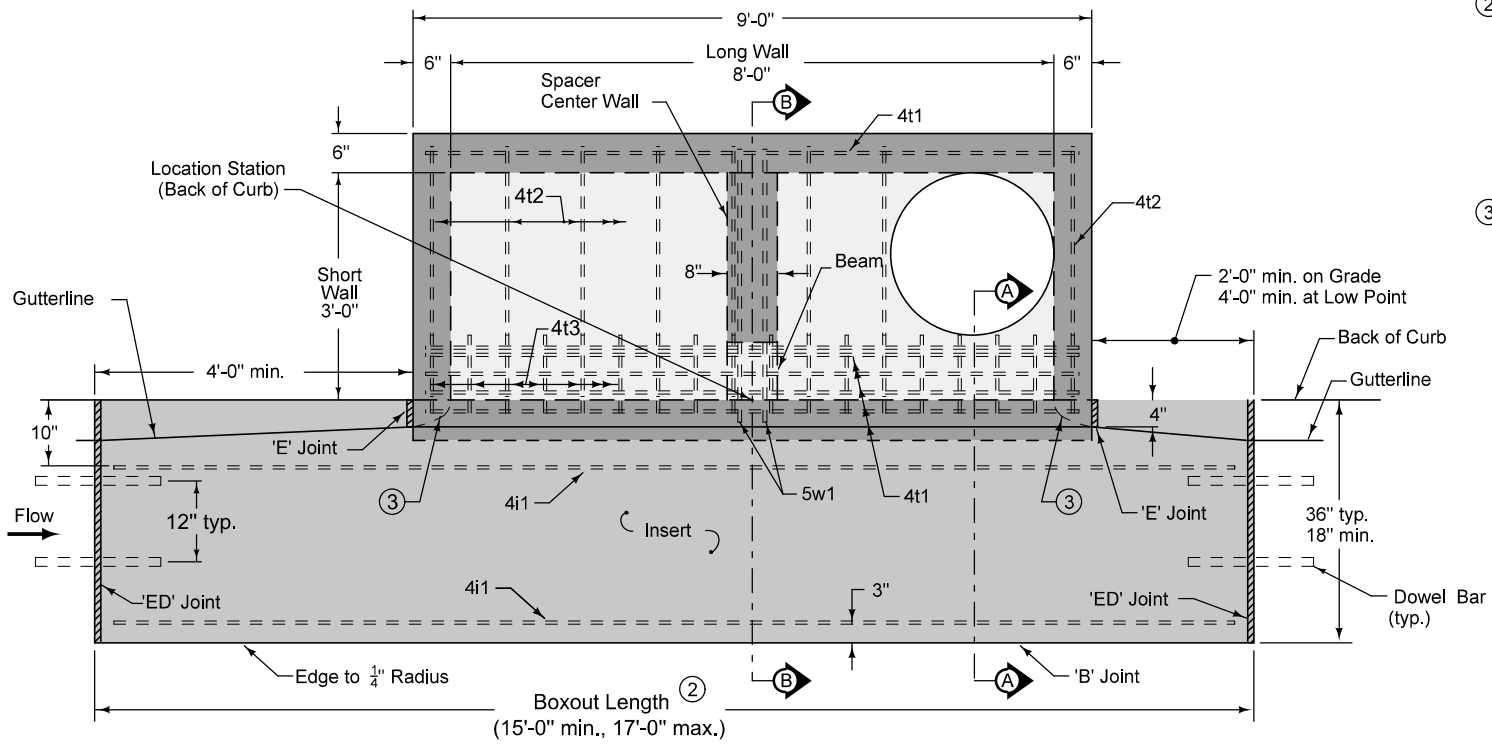


① Insert shaping may be modified for insert widths less than 36 inches. For an 18 inch insert, reduce dimensions indicated by  $\frac{1}{4}$  inch.

FIGURE 6010.509 SHEET 1 OF 3

SUDAS	IOWADOT	REVISION
		6   04-21-20
FIGURE 6010.509	STANDARD ROAD PLAN	<b>SW-509</b>
		SHEET 1 of 3
REVISIONS: Added Class 1 Bedding Material and changed maximum box out length to 17'.		
<i>Paul D. Wigand</i> SUDAS DIRECTOR		<i>Steve Nade</i> DESIGN METHODS ENGINEER
<b>DOUBLE OPEN-THROAT CURB INTAKE, SMALL BOX</b>		



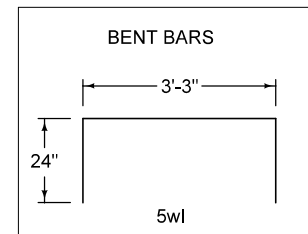
PLAN

② Transverse joint spacing on new concrete pavement is controlled by the intake boxout. Adjust adjacent joint spacing as required to accommodate boxouts.

For retrofit intakes, match existing pavement joints. Stop any transverse pavement joints that do not conform to the minimum spacing requirements at the edge of the insert area.

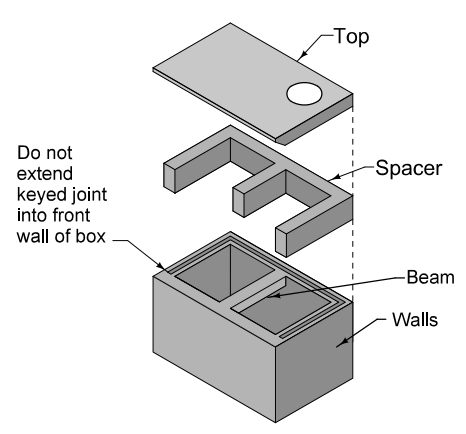
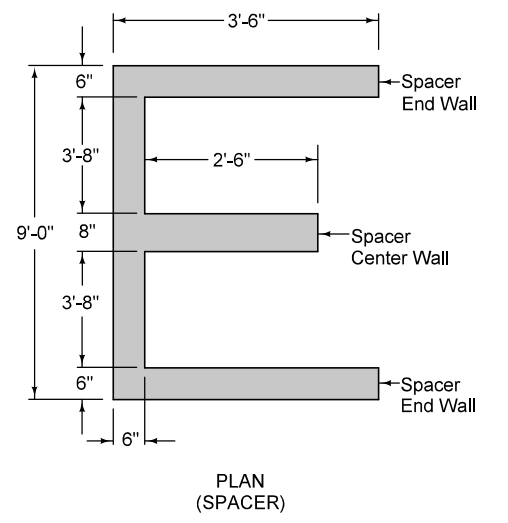
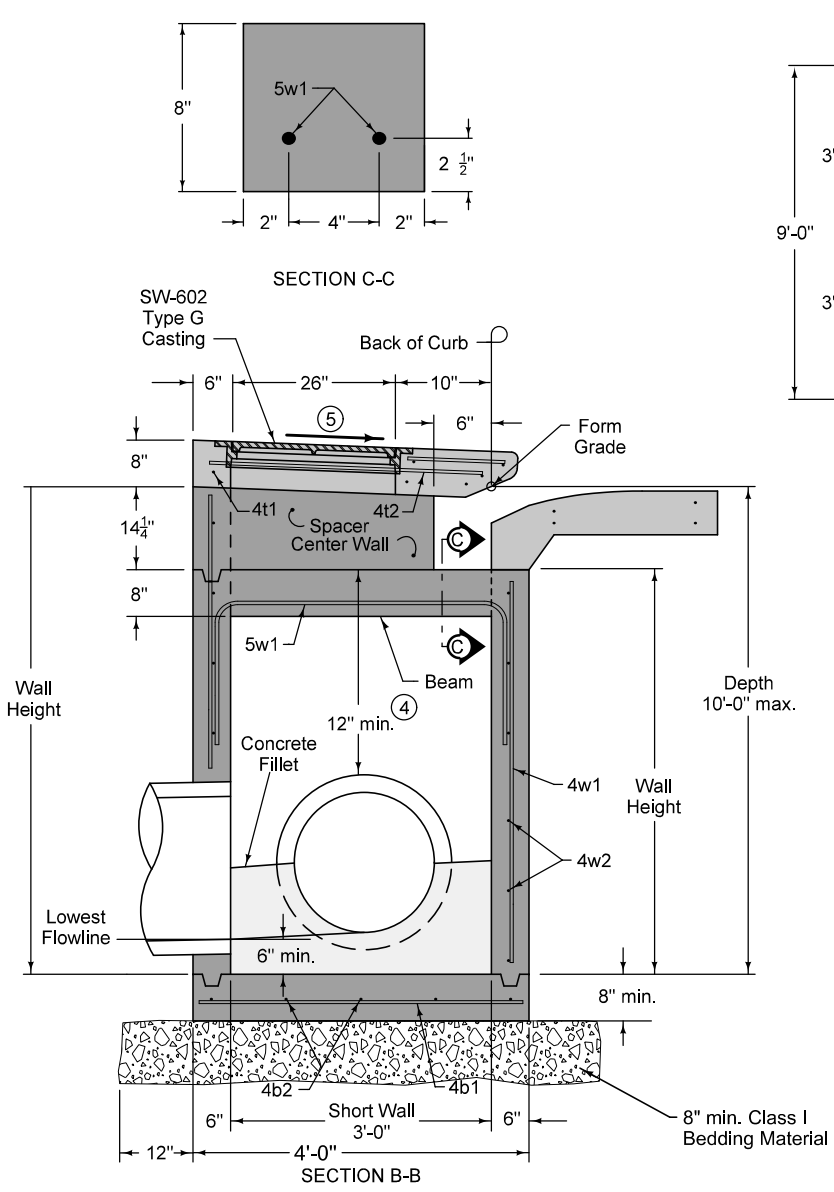
③ Rounded shaping at inlet.

REINFORCING BAR LIST						
Mark	Size	Location	Shape	Count	Length	Spacing
4b1	4	Base	—	9	3'-6"	12"
4b2	4	Base	—	5	8'-6"	10"
4i1	4	Insert	—	4	Boxout Length minus 8"	See Insert
4t1	4	Top	—	6	8'-6"	See Plan
4t2	4	Top	—	8	3'-6"	12"
4t3	4	Top	—	18	10"	6"
4w1	4	Walls	—	22	Wall Height minus 4"	13"
4w2	4	Long Walls	—	Varies	4'-8"	12"
4w3	4	Short Walls	—	Varies	3'-8"	12"
5w1	5	Beam	⌊	2	7'-3"	4"



SUDAS IOWADOT	REVISION	6	04-21-20
	<b>FIGURE 6010.509</b> STANDARD ROAD PLAN	<b>SW-509</b> SHEET 2 of 3	
REVISIONS: Added Class I Bedding Material and changed maximum box out length to 17'.			
Paul D. Wiegand SUDAS DIRECTOR		Scott Miller DESIGN METHODS ENGINEER	
<b>DOUBLE OPEN-THROAT CURB          INTAKE, SMALL BOX</b>			

FIGURE 6010.509 SHEET 2 OF 3



ISOMETRIC  
(Refer to SECTION B-B for alignment of Top with Spacer)

- ④ 12 inch minimum wall height above all pipes.
- ⑤ Slope of 1.5% or as specified in the contract documents.

MAXIMUM PIPE DIAMETERS		
Pipe Location	Precast Structure	Cast-in-place Structure
Short Wall	24"	30"
Long Wall	60"	66"

FIGURE 6010.509 SHEET 3 OF 3

SUDAS	IOWADOT	REVISION
		6 04-21-20
FIGURE 6010.509	STANDARD ROAD PLAN	<b>SW-509</b>
		SHEET 3 of 3
REVISIONS: Added Class I Bedding Material and changed maximum box out length to 17'.		
Paul D. Wiegand SUDAS DIRECTOR		Steve Nadeau DESIGN METHODS ENGINEER
<b>DOUBLE OPEN-THROAT CURB INTAKE, SMALL BOX</b>		