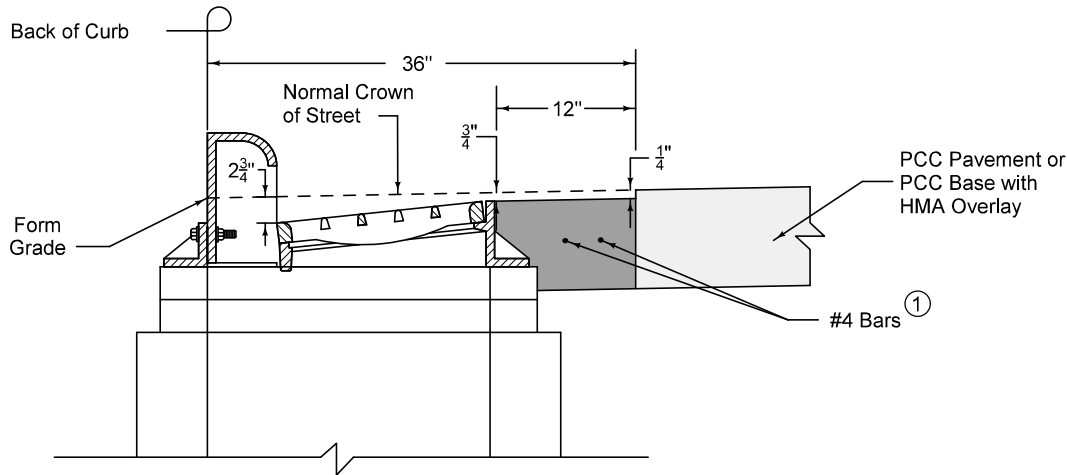


BOXOUT IN PCC PAVEMENT AND PCC BASE WITH HMA OVERLAY



SECTION A-A

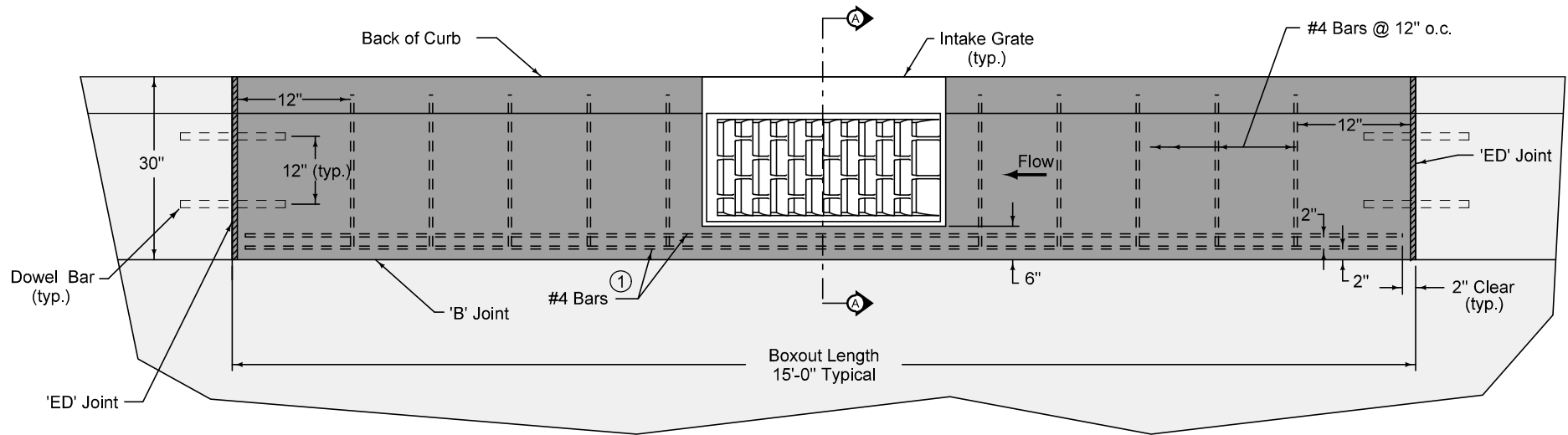
Transverse joint spacing on new concrete pavement is controlled by the intake boxout. Adjust adjacent joint spacing as required to accommodate boxouts.

For retrofit intakes, match existing concrete pavement joints. Stop any transverse pavement joints that do not conform to the minimum spacing requirements at the edge of the boxout.

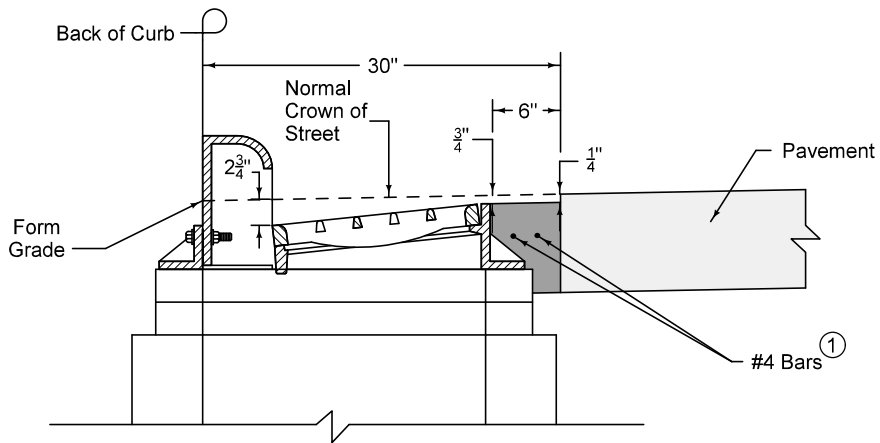
① Center bars vertically within slab.

FIGURE 6010.514 SHEET 1 OF 3

		REVISION
		1 04-17-18
FIGURE 6010.514	STANDARD ROAD PLAN	<b>SW-514</b>
		SHEET 1 of 3
<small>REVISIONS: Added dimension to back of grate. Updated line work and Iowa DOT and SUDAS logos.</small>		
<i>Paul D. Wigand</i> <small>SUDAS DIRECTOR</small>		<i>Brian Smith</i> <small>DESIGN METHODS ENGINEER</small>
<b>BOXOUT FOR GRATE INTAKES</b>		



BOXOUT IN PCC CURB AND GUTTER

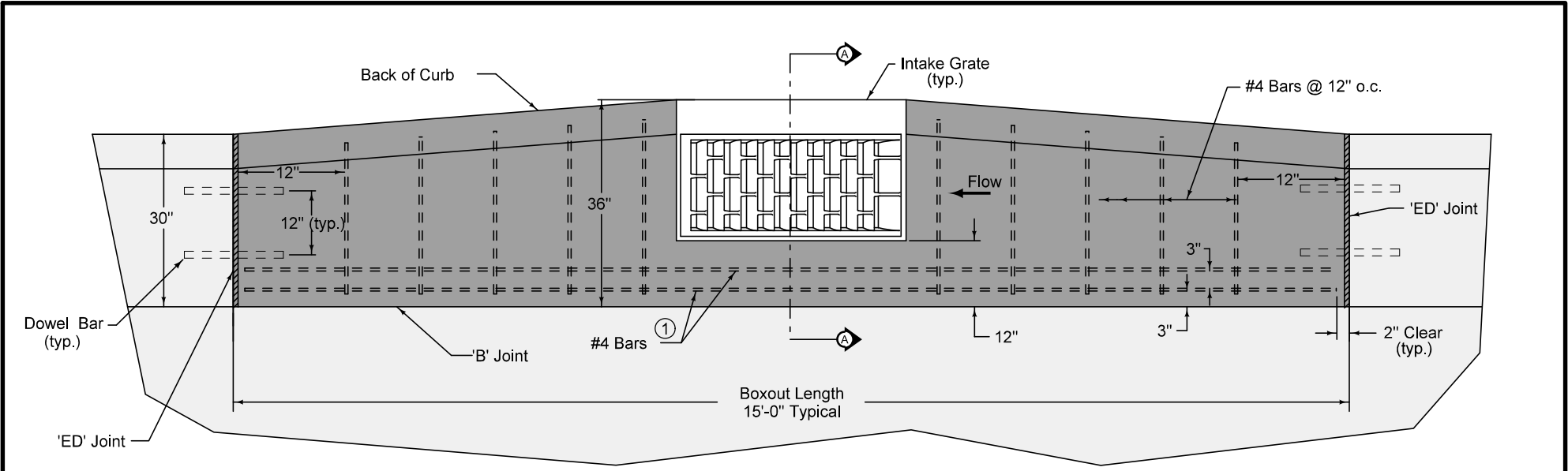


SECTION A-A

① Center bars vertically within slab.

FIGURE 6010.514 SHEET 2 OF 3

SUDAS	IOWADOT	REVISION
		1 04-17-18
FIGURE 6010.514	STANDARD ROAD PLAN	<b>SW-514</b>
		SHEET 2 of 3
REVISIONS: Added dimension to back of grate. Updated line work and Iowa DOT and SUDAS logos.		
<i>Paul D. Wigand</i> SUDAS DIRECTOR		<i>Brian Smith</i> DESIGN METHODS ENGINEER
<b>BOXOUT FOR GRATE INTAKES</b>		

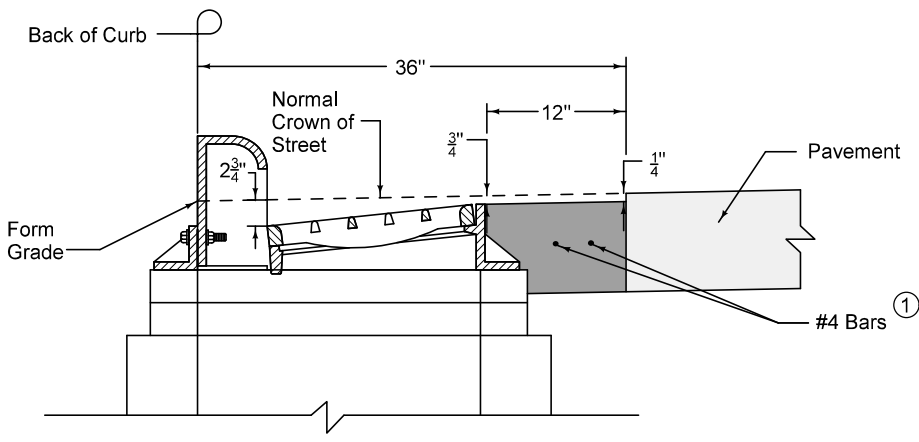


ALTERNATE BOXOUT IN PCC CURB AND GUTTER

Transverse joint spacing on new concrete pavement is controlled by the intake boxout. Adjacent joint spacing may need to be field adjusted to fit boxouts.

For retrofit intakes, match existing concrete pavement joints. Stop any transverse pavement joints that do not conform to the minimum spacing requirements at the edge of the boxout.

- ① Center bars vertically within slab.



SECTION A-A

FIGURE 6010.514 SHEET 3 OF 3

SUDAS	IOWADOT	REVISION
		1 04-17-18
FIGURE 6010.514	STANDARD ROAD PLAN	<b>SW-514</b>
		SHEET 3 of 3
<small>REVISIONS: Added dimension to back of grate. Updated line work and Iowa DOT and SUDAS logos.</small>		
<i>Paul D. Wigand</i> <small>SUDAS DIRECTOR</small>		<i>Brian Smith</i> <small>DESIGN METHODS ENGINEER</small>
<b>BOXOUT FOR GRATE INTAKES</b>		