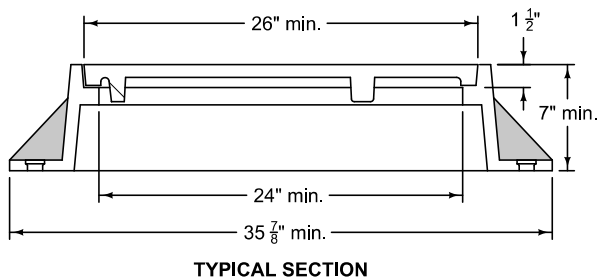
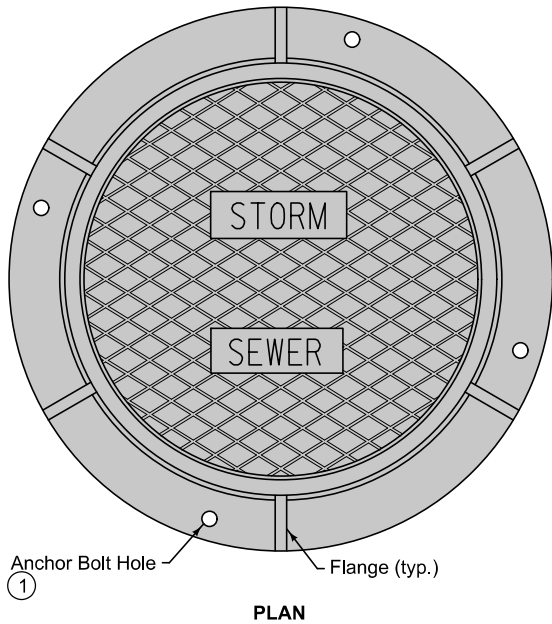
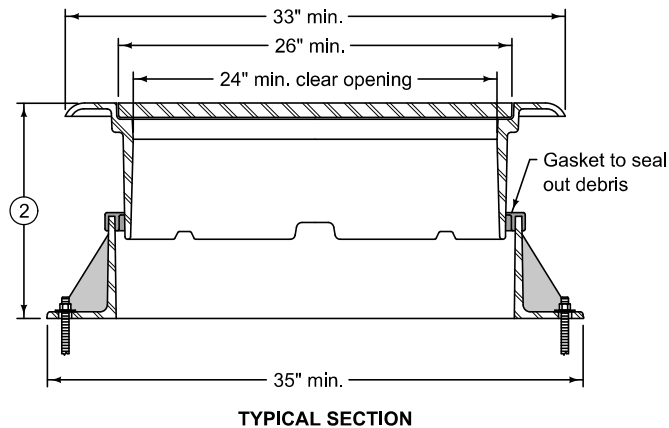
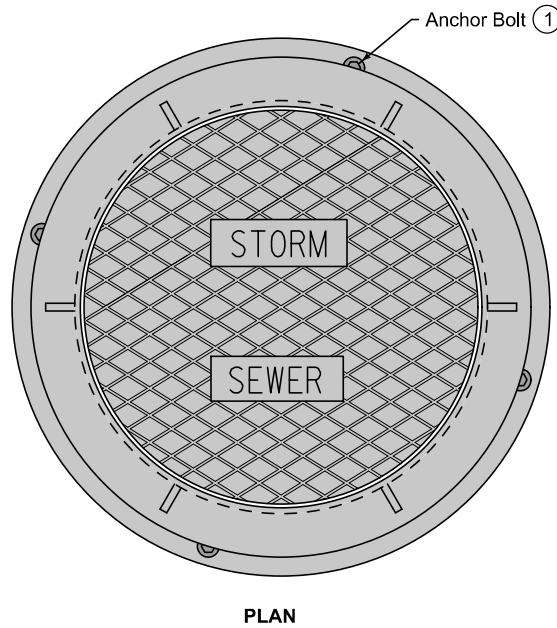


**TYPE E**  
Two-piece fixed casting



**TYPE F: HMA**  
Three-piece floating casting for use in HMA paving



Frame Notes:  
Size, spacing, and number of lugs and flanges may vary.

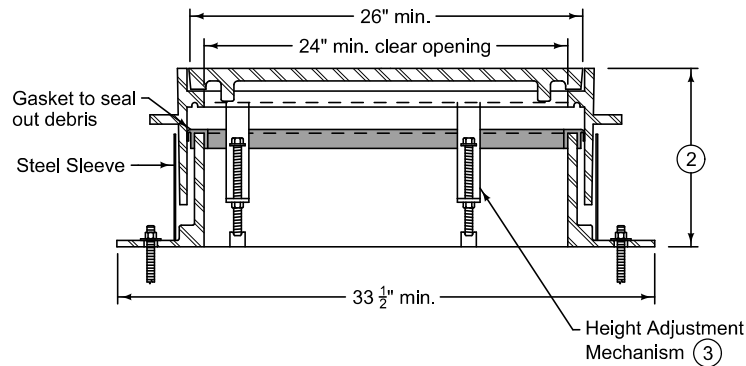
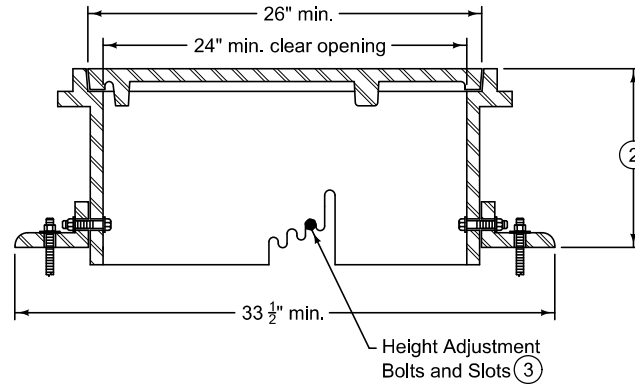
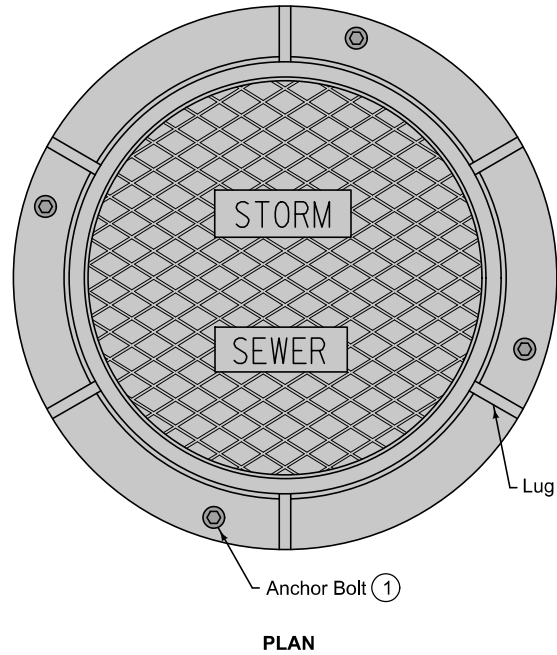
Cover Notes:  
Roughness pattern and text style may vary.  
Minimum one pickhole.

- ① Anchor the lower frame of all three-piece castings to the manhole structure. When specified in the contract documents, anchor the frame of two-piece castings to the manhole structure. If casting frame does not include anchor holes or slots, drill four 7/8 inch diameter holes, equally spaced around the frame.
- ② Casting height varies. Minimum adjustment range of 4 inches.

		REVISION
		4   04-21-20
FIGURE 6010.602	STANDARD ROAD PLAN	<b>SW-602</b>
REVISIONS: Add option for 3-piece HMA casting		SHEET 1 of 3
 SUDAS DIRECTOR		 DESIGN METHODS ENGINEER
<b>CASTINGS FOR STORM SEWER MANHOLES</b>		

**TYPE F: PCC**

Three-piece floating casting for use in PCC paving and PCC boxouts



TYPICAL SECTION ④

Frame Notes:  
Size, spacing, and number of lugs and flanges may vary.

Cover Notes:  
Roughness pattern and text style may vary.  
Minimum one pickhole.

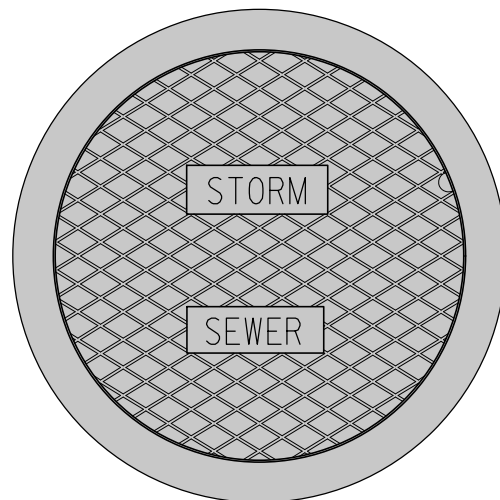
- ① Anchor the lower frame of all three-piece castings to the manhole structure. When specified in the contract documents, anchor the frame of two-piece castings to the manhole structure. If casting frame does not include anchor holes or slots, drill four 7/8 inch diameter holes, equally spaced around the frame.
- ② Casting height varies. Minimum adjustment range of 4 inches.
- ③ Set casting at proper grade using the adjustment slots or adjustment mechanism. Remove bolts or mechanism upon completion of paving.
- ④ Height adjustment method may vary; two options are shown.

FIGURE 6010.602 SHEET 2 OF 3

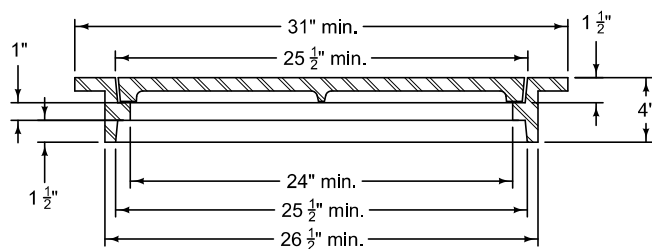
SUDAS	IOWADOT	REVISION
		4 04-21-20
FIGURE 6010.602	STANDARD ROAD PLAN	<b>SW-602</b>
		SHEET 2 of 3
REVISIONS: Add option for 3-piece HMA casting		
Paul D. Wigand SUDAS DIRECTOR		Stuart Miller DESIGN METHODS ENGINEER
<b>CASTINGS FOR STORM SEWER MANHOLES</b>		

**TYPE G**  
Two piece fixed casting

Cover Notes:  
Roughness pattern and text style may vary.  
Minimum one pickhole.



**PLAN**



**TYPICAL SECTION**

FIGURE 6010.602 SHEET 3 OF 3

SUDAS	IOWADOT	REVISION
		4   04-21-20
FIGURE 6010.602	STANDARD ROAD PLAN	<b>SW-602</b>
		SHEET 3 of 3

REVISIONS: Add option for 3-piece HMA casting

Paul D. Wigand  
 SUDAS DIRECTOR

Stuart M. Nelson  
 DESIGN METHODS ENGINEER

**CASTINGS FOR  
STORM SEWER MANHOLES**